

Figure 1

1. INTRODUCTION

This instruction sheet covers the installation procedures for the 1U, Interface Housing Patch Panel. The panel may be mounted on any standard 483 mm [19 in.] equipment rack or communication cabinet as shown in Figure 1.

i **NOTE**
All dimensions on this document are in metric units [with U.S. customary units in brackets]. Figures and illustrations are for identification only and are not drawn to scale.

2. DESCRIPTION

Each panel assembly comes with a 1U, 483 mm [19 in.] panel pre-loaded with four plastic interface housing modules ready to accept the RJ45, 8-position modular jacks which are also provided, but bagged separately. Also included are one pack 10-32UNC mounting screws, one pack 10-32 UNC mounting screws, one pack 12-24 UNC mounting screws, one pack external tooth star washers, and eight label strips.

3. INSTALLATION INSTRUCTIONS

3.1. General

Unpack and carefully mount the 483 mm [19 in.] panel

subassembly to a 483 mm [19-in.] equipment rack or Telecom rack.



CAUTION

Care should be taken in handling of the panel outer mounting ears as the panel can be damaged if dropped or twisted.

The star washers should be placed between the screw head and the front mounting surface of the panels. Refer to Figure 1.



NOTE

HD jacks are unique and are not compatible with any other style jacks. Only jacks accommodating panel assemblies will install correctly.

3.2. Modular Jacks Installation

Included with the panel assembly are forty-eight, HD style jacks. Termination of jacks should be made with the SL Series Punch Down Tool 1725150-1 prior to insertion into the panel interface housings. Termination procedures and usage of the tool may be found in Instruction Sheet 408-8858. Once the jacks have been terminated, they may now be inserted into the rear of the interface housing. Insertion is performed by sliding the jacks straight into the rear of the housing, latch side up. See Figure 2. Slide the jacks into the housing until the jack latch snaps into place.

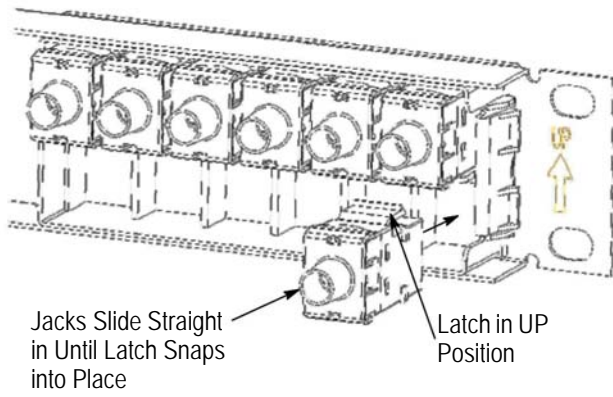


Figure 2

3.3. Label Options

The 48-Port, 1U, patch panel is available with several port designation options.

- A row label is pre-installed in the right side of each of the plastic interface housings. Refer to Figure 1. The row label may be removed and turned around so that the “blank” or “black only” side of the label faces out if desired.
- Oval slots (shown in Figure 1) directly above each jack provide for insertion of TE Connectivity Icon Wheels (Cat5 mix 1375092-[], Cat5e/Cat6 mix 1375092-[], data 558198-[], phone 558199-[], or blanks 558821-[]).
- Included loose in each assembly are eight, 6-port horizontal label strips (see Figure 1) to which a 6.35 mm [.250 in.] high customer supplied label may be added. Horizontal label strips have four insertion prongs located on the rear of the strip. Prongs are

off center and when properly installed should be oriented toward the top of the label strip as shown in Figure 3.

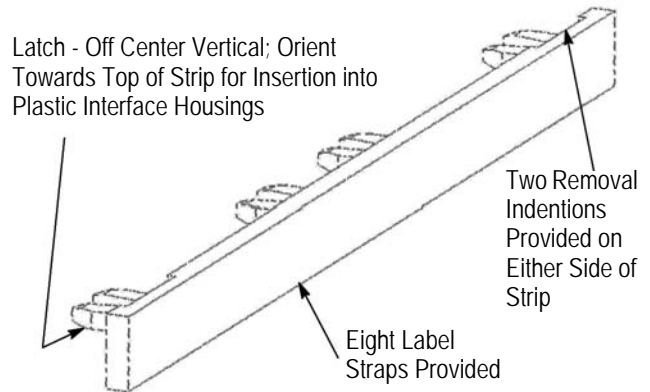


Figure 3

4. MODULAR JACK REMOVAL

Modular jacks may be removed from the plastic interface housing by carefully inserting a small, regular screwdriver blade into each oblong opening located directly above the jack on the front face of the interface housing, (see Figure 4), and pressing down and back on the jack latch. The jack will dislodge and may be removed through the rear of the interface housing.

5. REVISION SUMMARY

- Updated document to incorporate requirements
- Changed Icon Wheel part number in second bullet in Paragraph 3.3

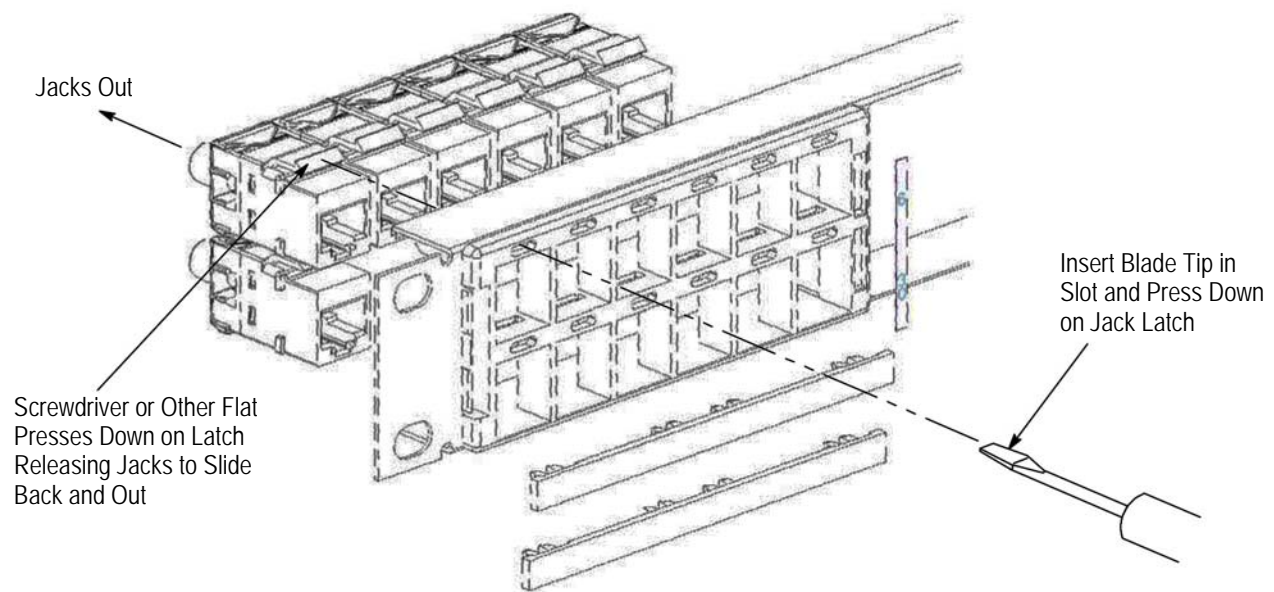


Figure 4