

THIS DRAWING IS UNPUBLISHED.

RELEASED FOR PUBLICATION

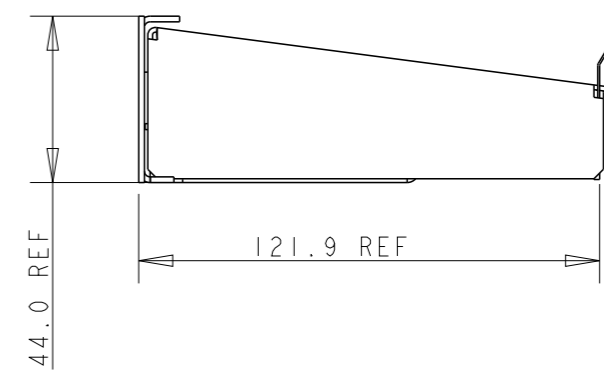
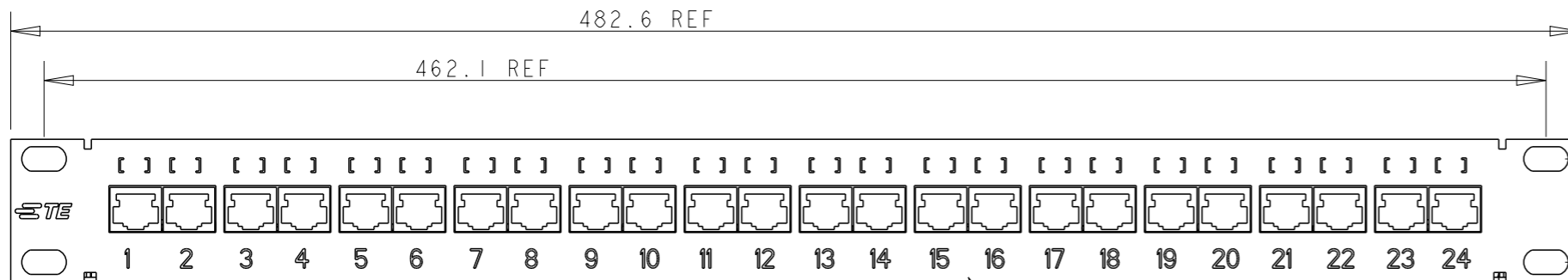
2012

© COPYRIGHT 2002 TE CONNECTIVITY AMP ESPAÑA S.L.U. ALL RIGHTS RESERVED.

LOC 1K DIST 2

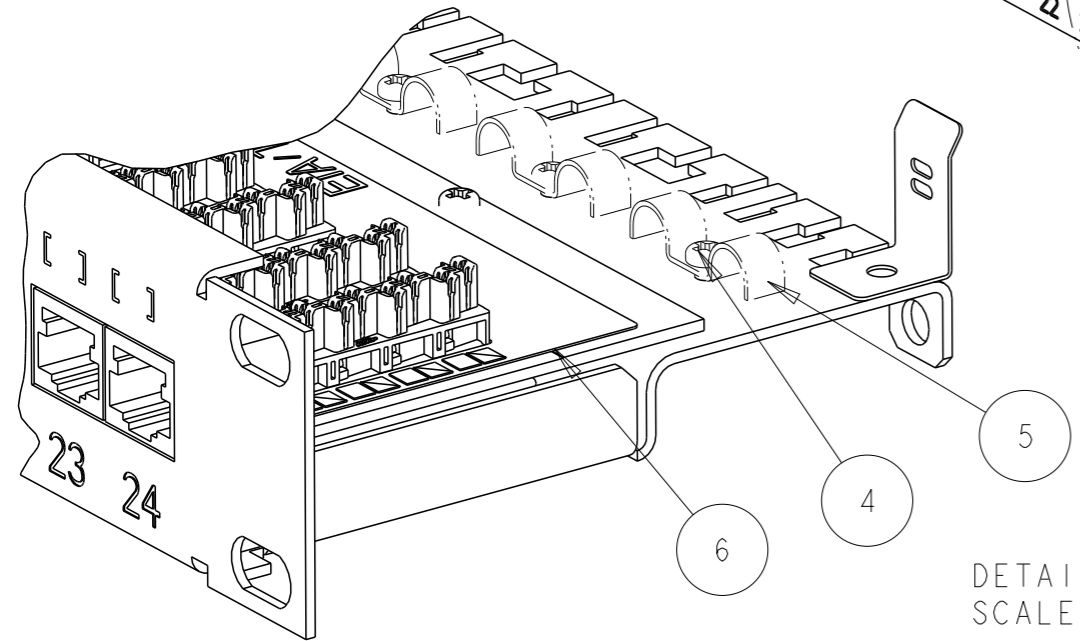
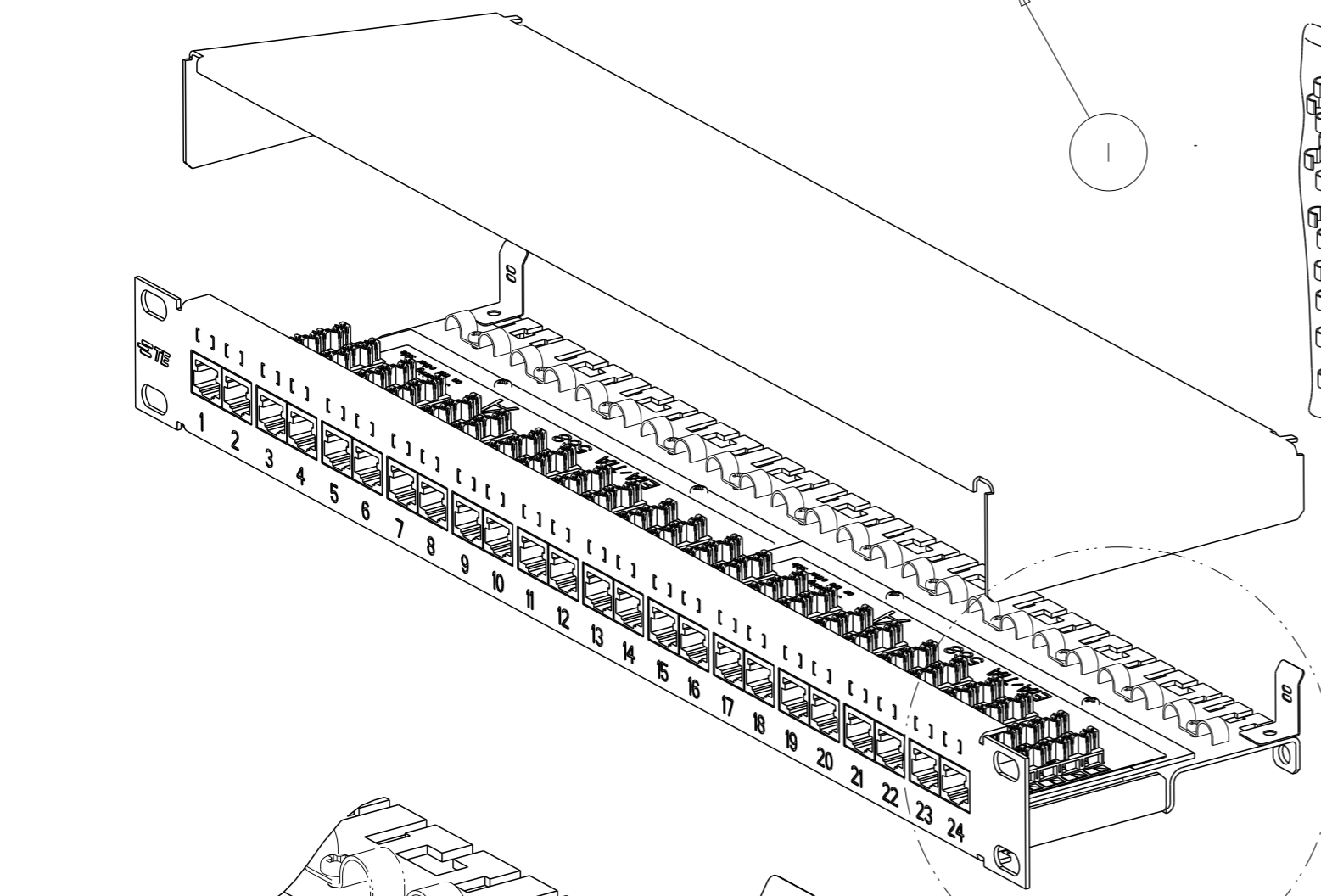
REVISIONS

P	LTR	DESCRIPTION	DATE	DWN	APVD
	F	ECR-12-018162	22OCT2012	RM	JS



1. PACKAGING:
 ONE BOX WITH ONE PANEL:
 PANEL PRE-ASSEMBLED INTO POLYBAG INCLUDING
 SCREW-SET AND APPLICATION SPEC.

2		COLOR CODE GUIDE LABEL	-	6	
12+12		CABLE CLAMP	-	5	
12		SCREW M3x12	-	4	
24		CABLE TIE	-	3	
1		GROUND CLAMP KIT	-	2	
1	-	PATCH PANEL METAL FRAME	GREY RAL 7035	1	
-	1		BLACK RAL 9005		
-	-		GREY RAL 7032		
-3	-2	-1	DESCRIPTION	NOTES	ITEM
QTY PER KIT					



DETAIL A SCALE 1:1

THIS DRAWING IS A CONTROLLED DOCUMENT.

DIMENSIONS:	TOLERANCES UNLESS OTHERWISE SPECIFIED:
mm	0 PLC ±-
	1 PLC ±-
	2 PLC ±-
	3 PLC ±-
	4 PLC ±-
	ANGLES ±-
MATERIAL	FINISH

TE Connectivity

STB

NAME: PATCH PANEL, CAT 5E
 24 PORTS
 SHIELDED

APVD: J. SANABRA 05-Feb-02

PRODUCT SPEC: 108-22138

APPLICATION SPEC: 114-22018

WEIGHT: -

Customer Drawing

SIZE: A3 CAGE CODE: - DRAWING NO: C-336671 RESTRICTED TO: -

SCALE: 1:2 SHEET: 1 OF 1 REV: F