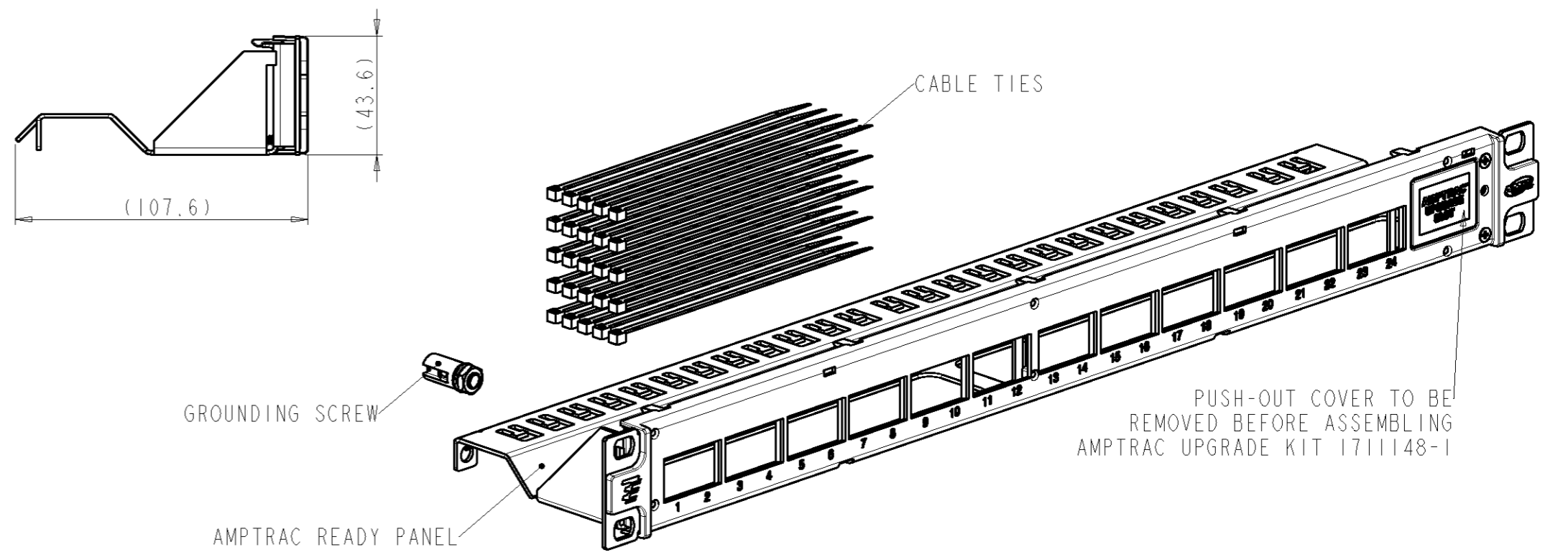
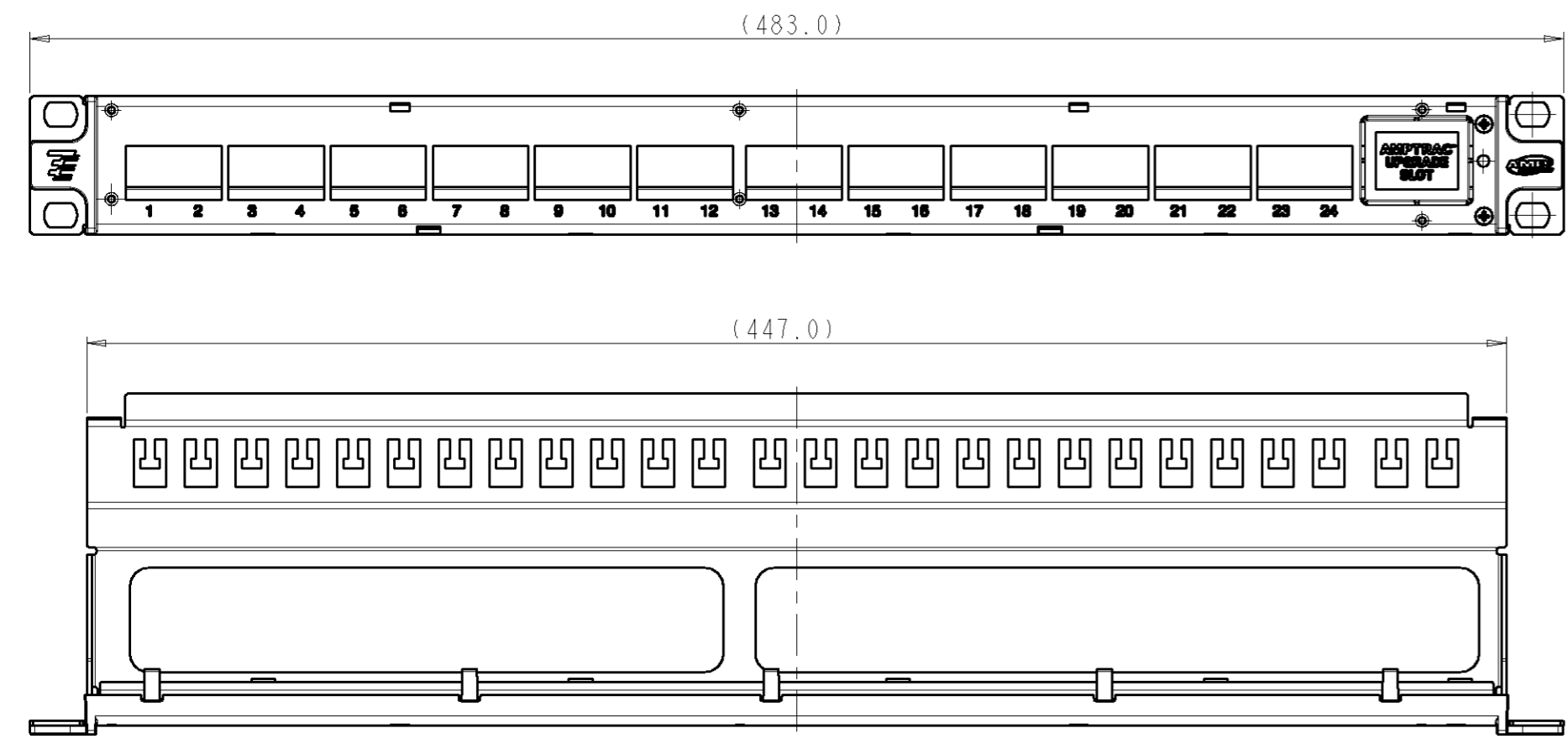
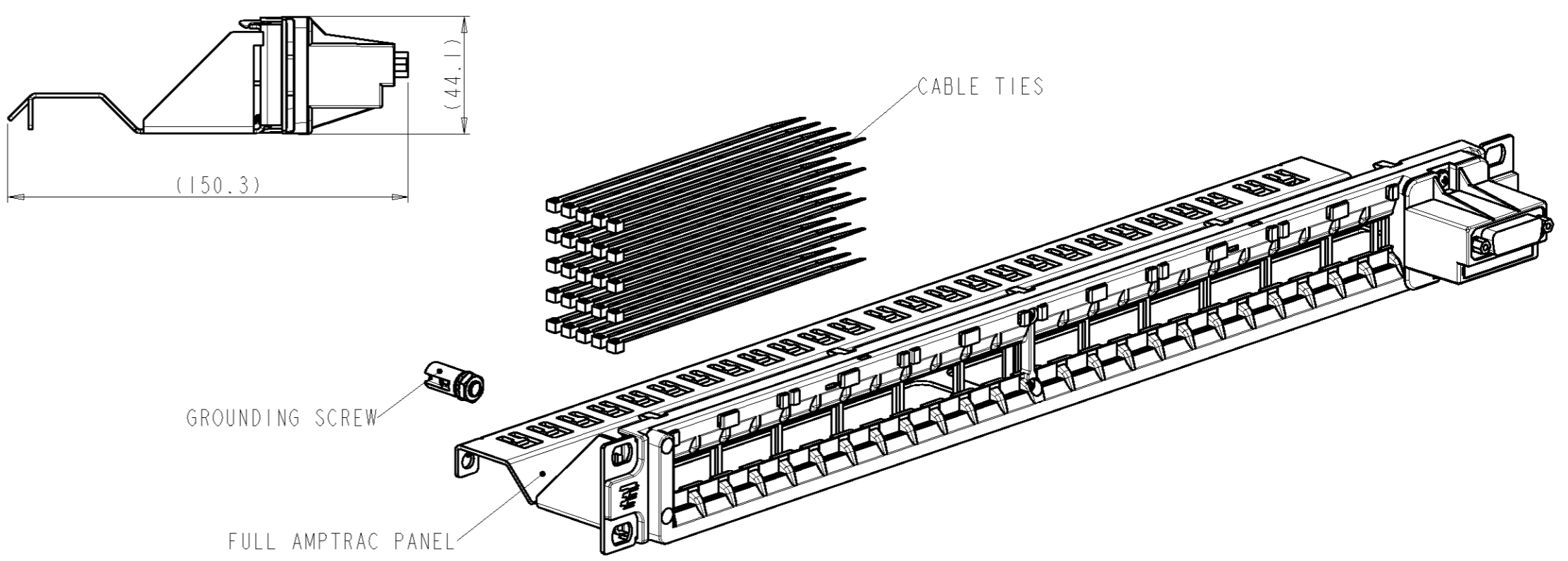
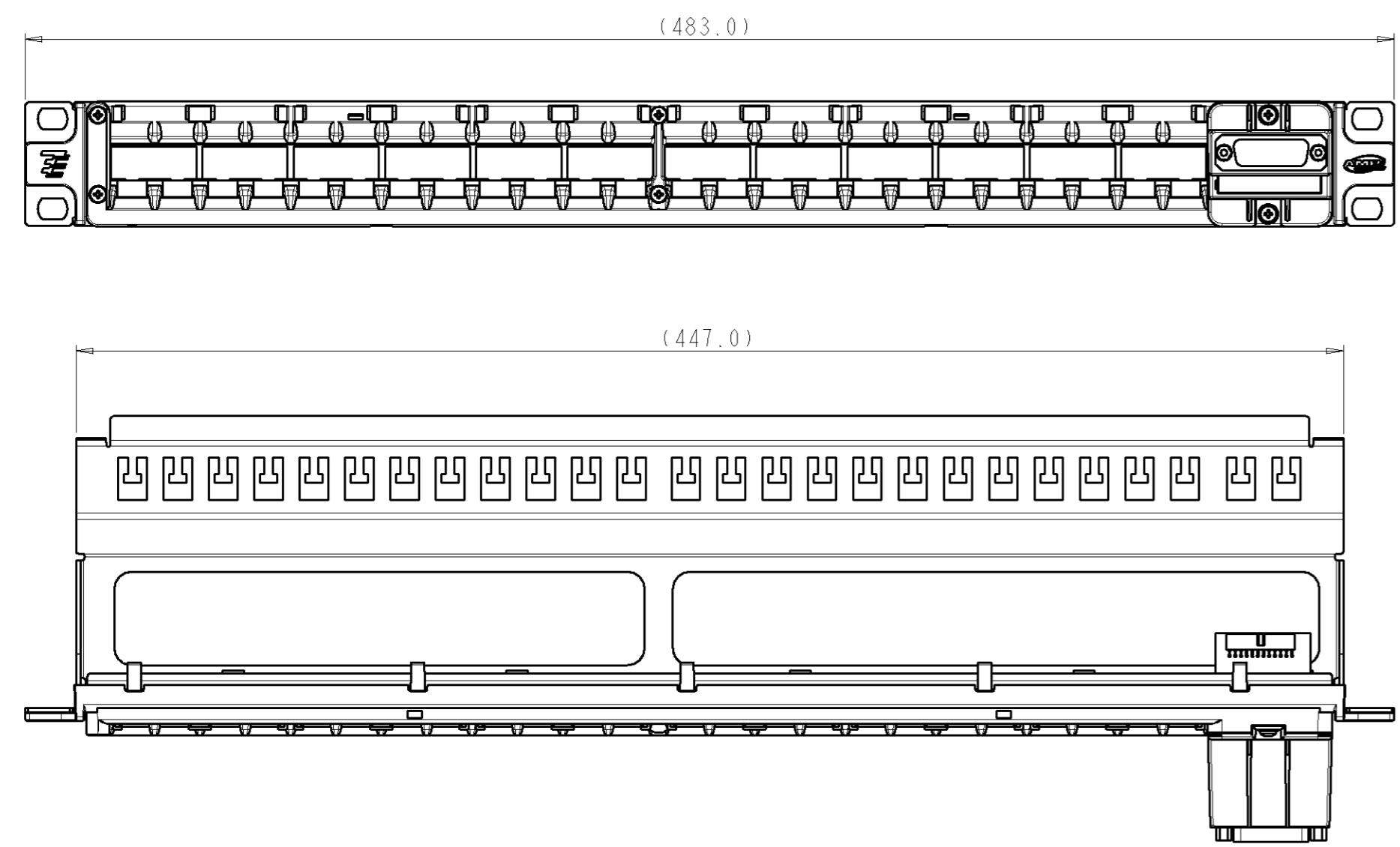


THIS DRAWING IS UNPUBLISHED. RELEASED FOR PUBLICATION 2008
 © COPYRIGHT 2008 BY TYCO ELECTRONICS CORPORATION. ALL RIGHTS RESERVED.

LOC	DIST	REVISIONS			
P	LTR	DESCRIPTION	DATE	DWN	APVD
1K	2	A	PRODUCTION RELEASE	02SEP2008	L.C. J.S.
		AI	NEW FULL AMPTRAC -4 ADDED	15APR2009	L.C. J.S.



AMPTRAC READY PANEL: 1711685-1 AND 1711685-2



FULL AMPTRAC PANEL: 1711685-4

COLOUR	DESCRIPTION	PART NUMBER
BLACK	FULL AMPTRAC PANEL	1711685-4
GREY	AMPTRAC READY PANEL FOR AMPTRAC UPGRADE KIT (PN 1711148-1)	1711685-2
BLACK	AMPTRAC READY PANEL FOR AMPTRAC UPGRADE KIT (PN 1711148-1)	1711685-1

1. PATCH PANEL WRAPPED IN PLASTIC FOIL
2. GROUNDING SCREW AND CABLE TIES IN INDIVIDUAL POLYBAGS
3. ALL ITEMS IN CARTON BOX WITH CORRESPONDING TE LABEL

<small>THIS DRAWING IS A CONTROLLED DOCUMENT FOR TYCO ELECTRONICS CORPORATION. IT IS SUBJECT TO CHANGE AND THE CONTROLLING ENGINEERING ORGANIZATION SHOULD BE CONTACTED FOR THE LATEST REVISION.</small>		DWN L. COBACHO 02SEP2008 CHK J. GATNAU 02SEP2008 APVD J. SANABRA 02SEP2008	Tyco Electronics AMP España, S.A. Barcelona, Spain
DIMENSIONS: mm 		TOLERANCES UNLESS OTHERWISE SPECIFIED: 0 PLC ± 1 PLC ±0.2 2 PLC ±0.10 3 PLC ± 4 PLC ± ANGLES ± FINISH ±	NAME AMPTRAC SL PANEL 24 PORTS FLUSH MOUNT
MATERIAL -		PRODUCT SPEC - APPLICATION SPEC - WEIGHT -	SIZE A2 CAGE CODE 00779 DRAWING NO. C-1711685 RESTRICTED TO -
CUSTOMER DRAWING		SCALE 1:2	SHEET 1 OF 1 REV A1