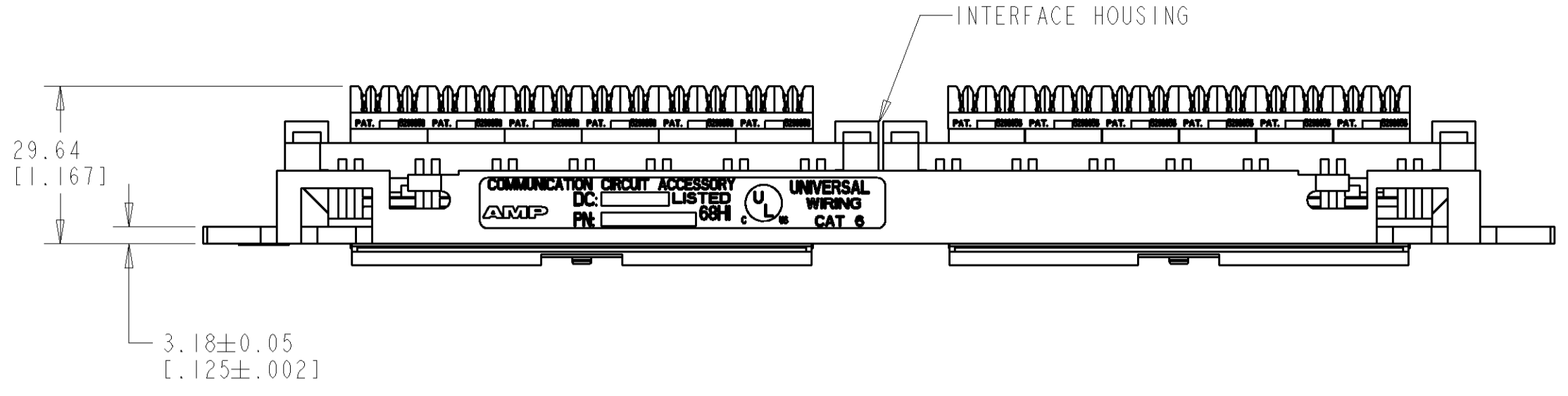
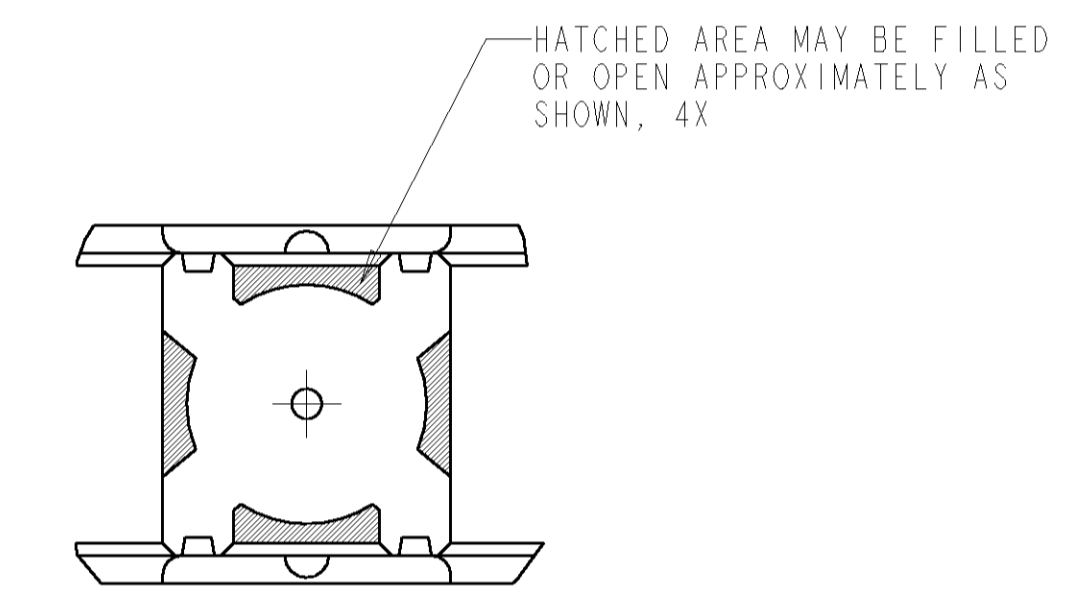
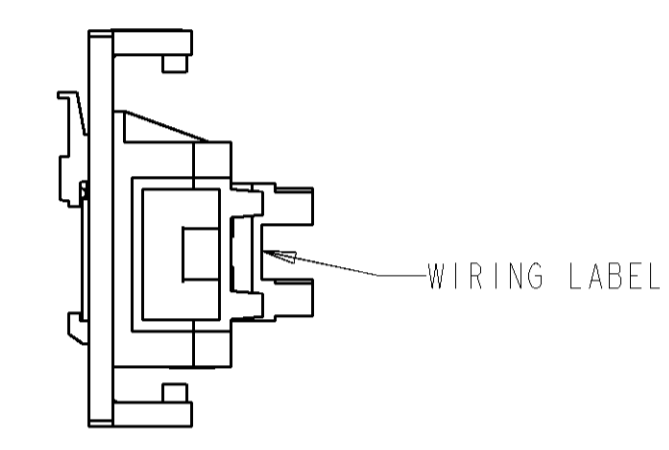
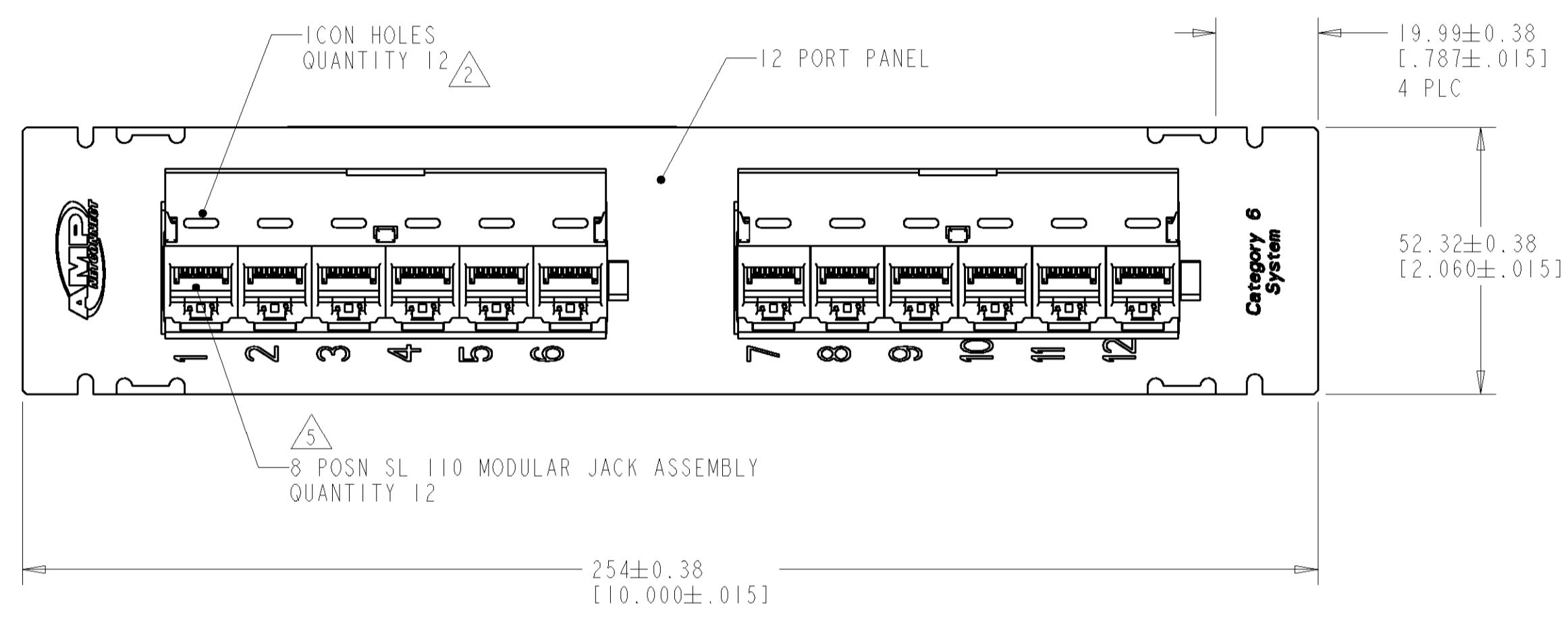


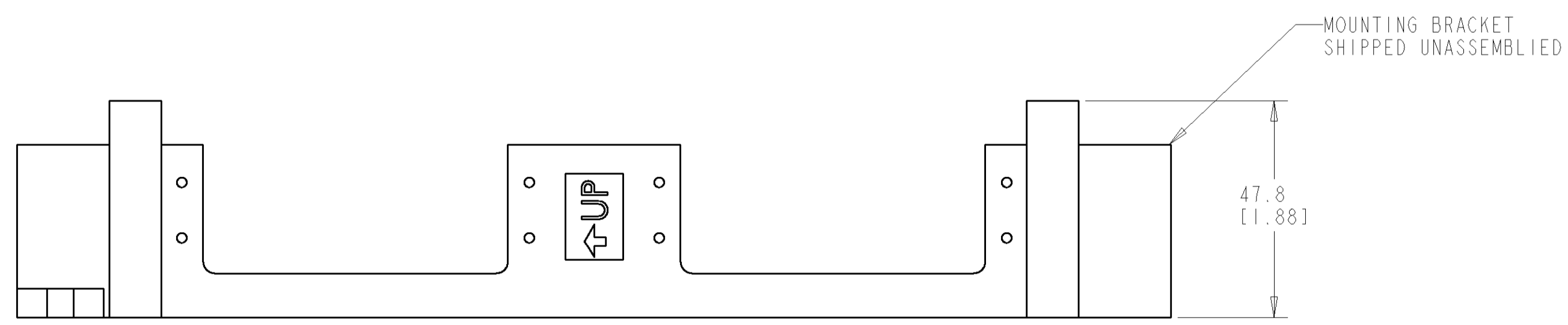
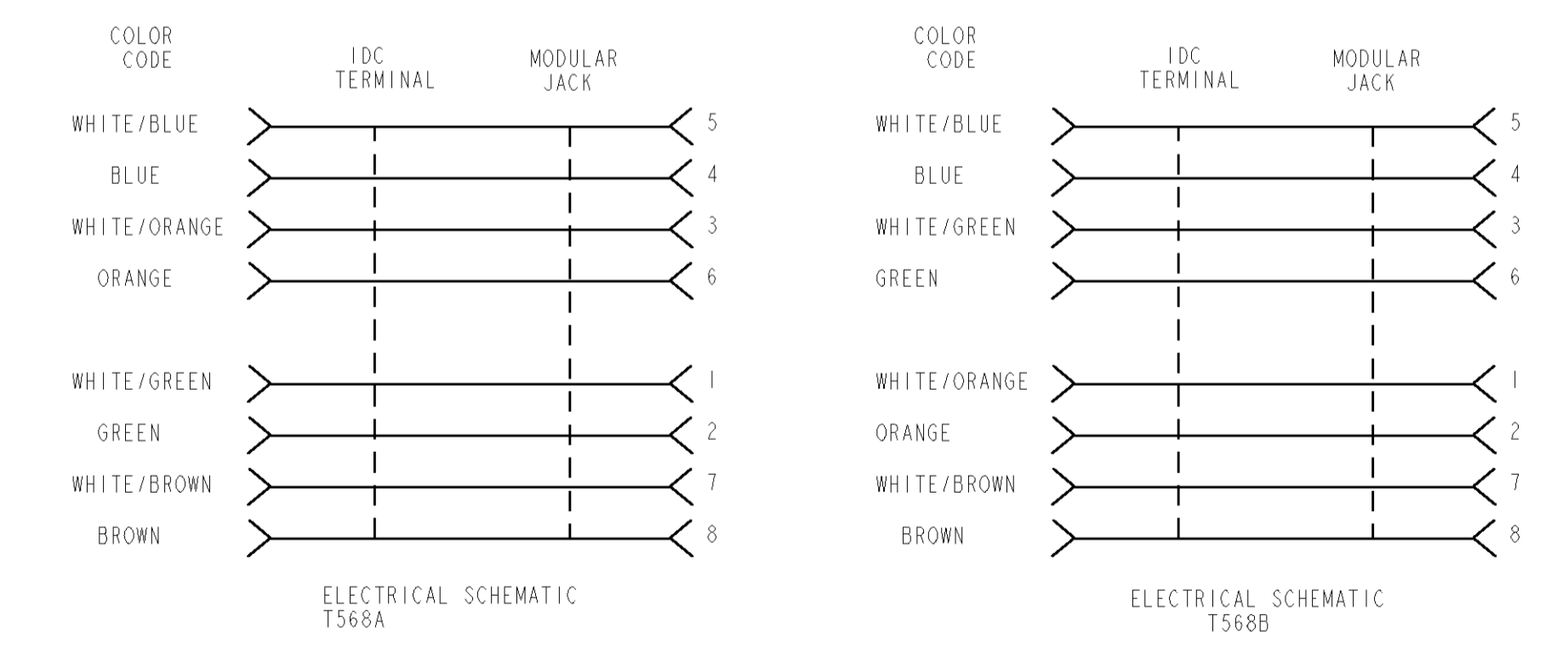
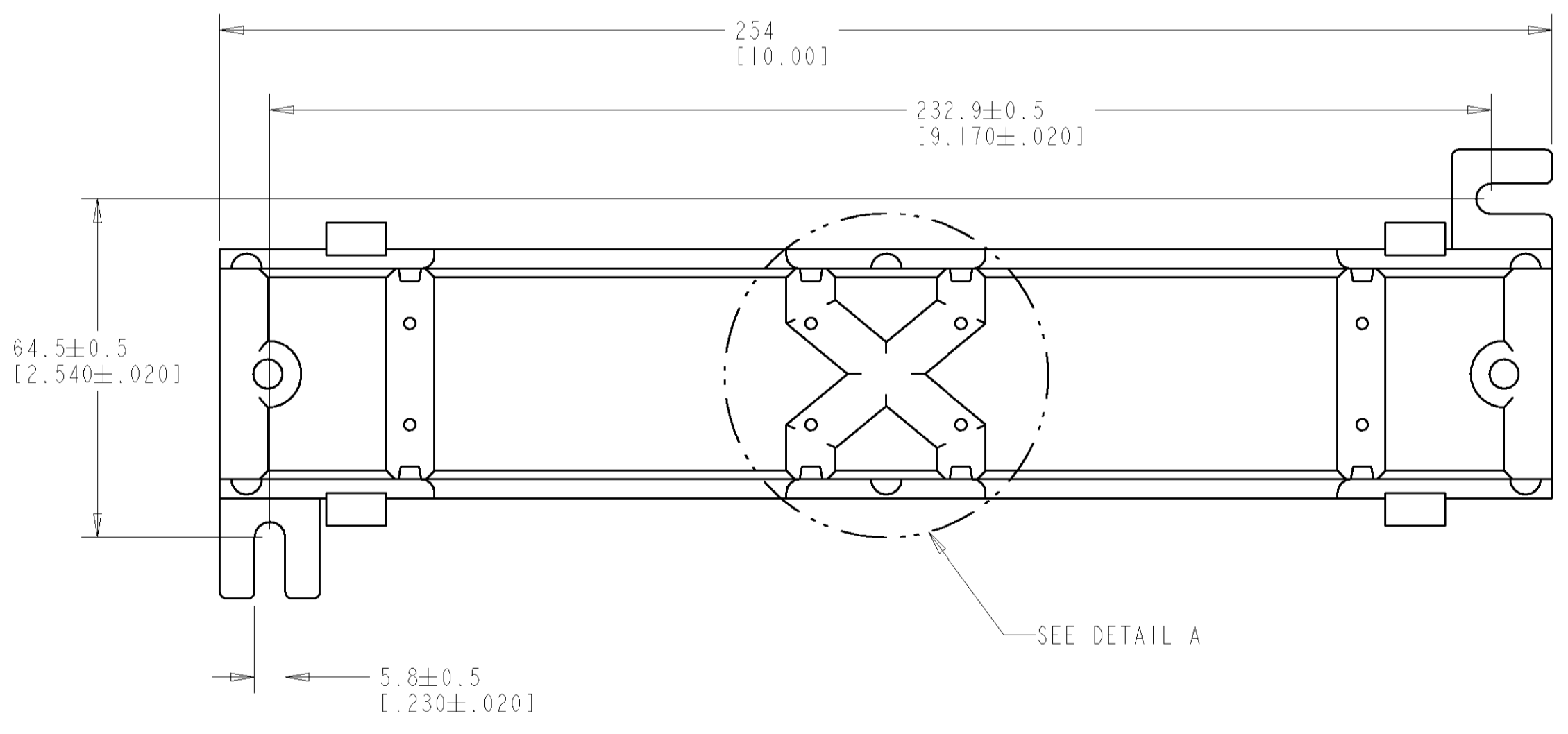
LOC	DIST	REVISIONS					
		P	LTR	DESCRIPTION	DATE	DWN	APVD
		E		REV: ECO-06-024784	23OCT2006	GG	SH
		F		ECO-06-025594	30JAN2007	JM	SH



- 1 MATERIAL:
 CONNECTOR HOUSING, INTERFACE: POLYESTER MOLDING COMPOUND, BLACK.
 MOUNTING BRACKET: POLYCARBONATE, WHITE.
 PANEL: BLACK POWDER COAT ALUMINUM WITH WHITE MARKINGS.
- 2 ICONS MAY BE PURCHASED SEPARATELY.
- 3. TWO WIRE TIES AND ONE MOUNTING BRACKET FOR INSTALLATION OF 12 PORT PANEL ASSEMBLY ARE SHIPPED LOOSE. WIRE TIES NOT SHOWN ON DRAWING.
- 4. ONE SHEET OF BEZEL LABELS AND ONE SHEET OF CLEAR COVERS SHIPPED LOOSE. BEZEL LABELS AND COVERS NOT SHOWN ON DRAWING.
- 5 JACKS SHOWN AS LOADED BUT SHIPPED LOOSE IN POLYBAG.



DETAIL A
 ALTERNATE CENTER BRACE CONFIGURATION



1375013-2
 PART NO

DIMENSIONS: MM [INCHES]		TOLERANCES UNLESS OTHERWISE SPECIFIED:		DWN: T. PITTS 04APR01		Tyco Electronics Harrisburg, PA 17105-3608	
0 PLC ±		1 PLC ±		ENR: L. SMITH 04APR01		NAME: BRACKET, MOUNTING CAT6, 110, UNIVERSAL WIRING	
2 PLC ±		3 PLC ±		APVD: S. HERNDON 04APR01		SIZE: CAGE CODE: DRAWING NO: RESTRICTED TO	
4 PLC ±		FINISH: ±		PRODUCT SPEC: -		A 00779 C=1375013	
MATERIAL: -		FINISH: -		APPLICATION SPEC: -		SCALE: 1:1 SHEET 1 OF 1 REV F	
CUSTOMER DRAWING				WEIGHT: -		SCALE: 1:1 SHEET 1 OF 1 REV F	