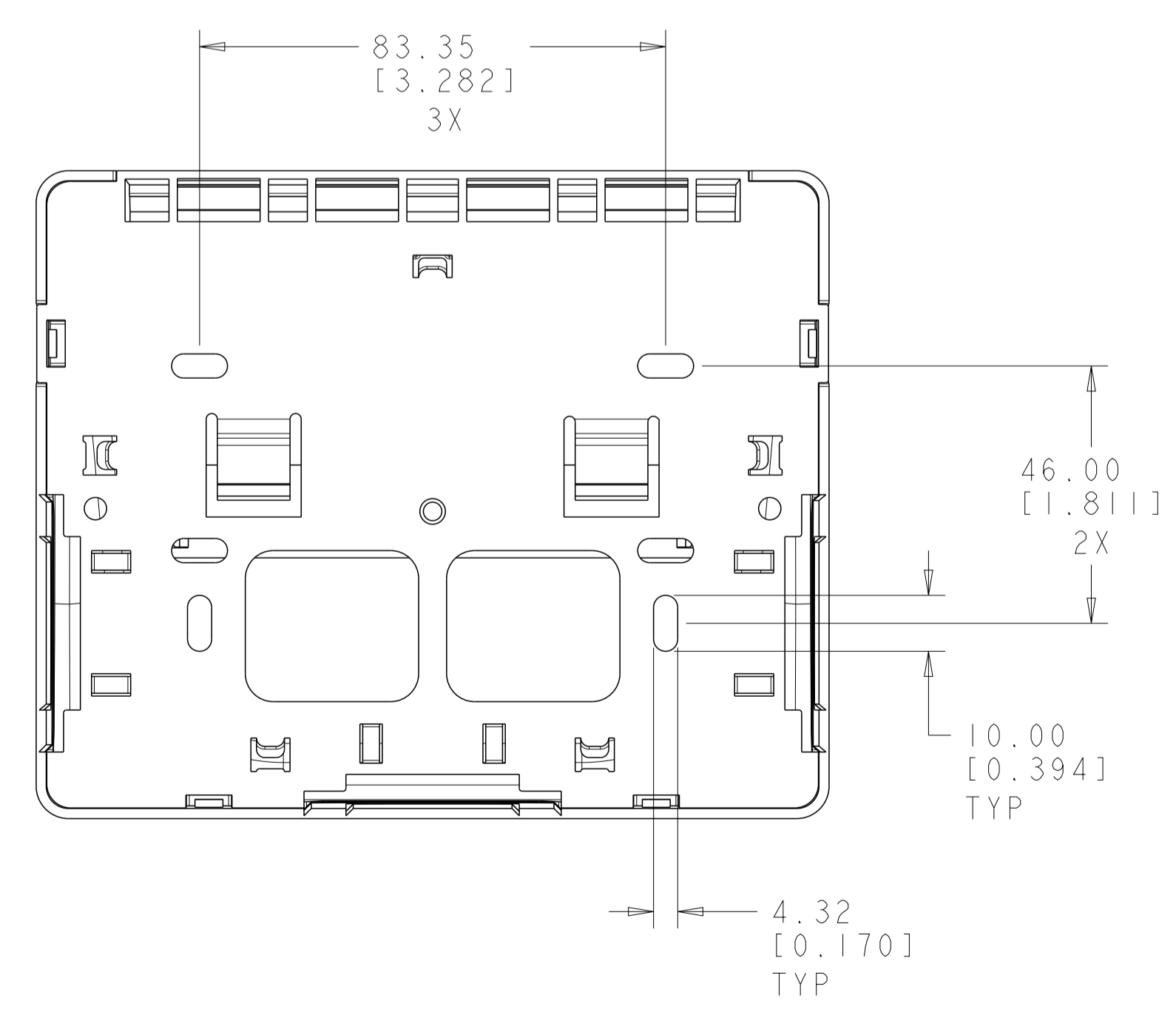
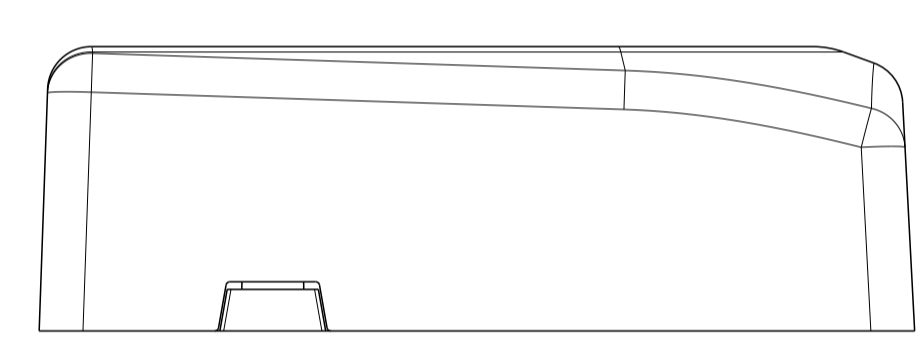
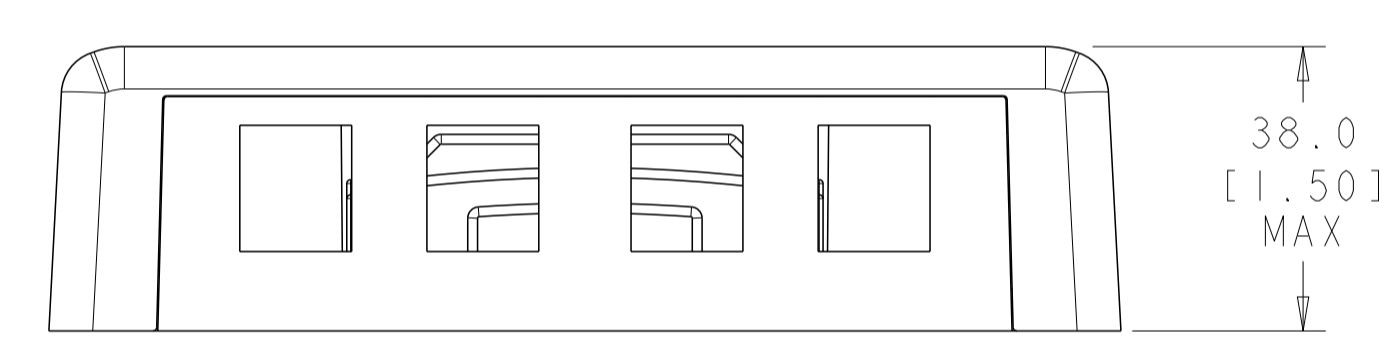
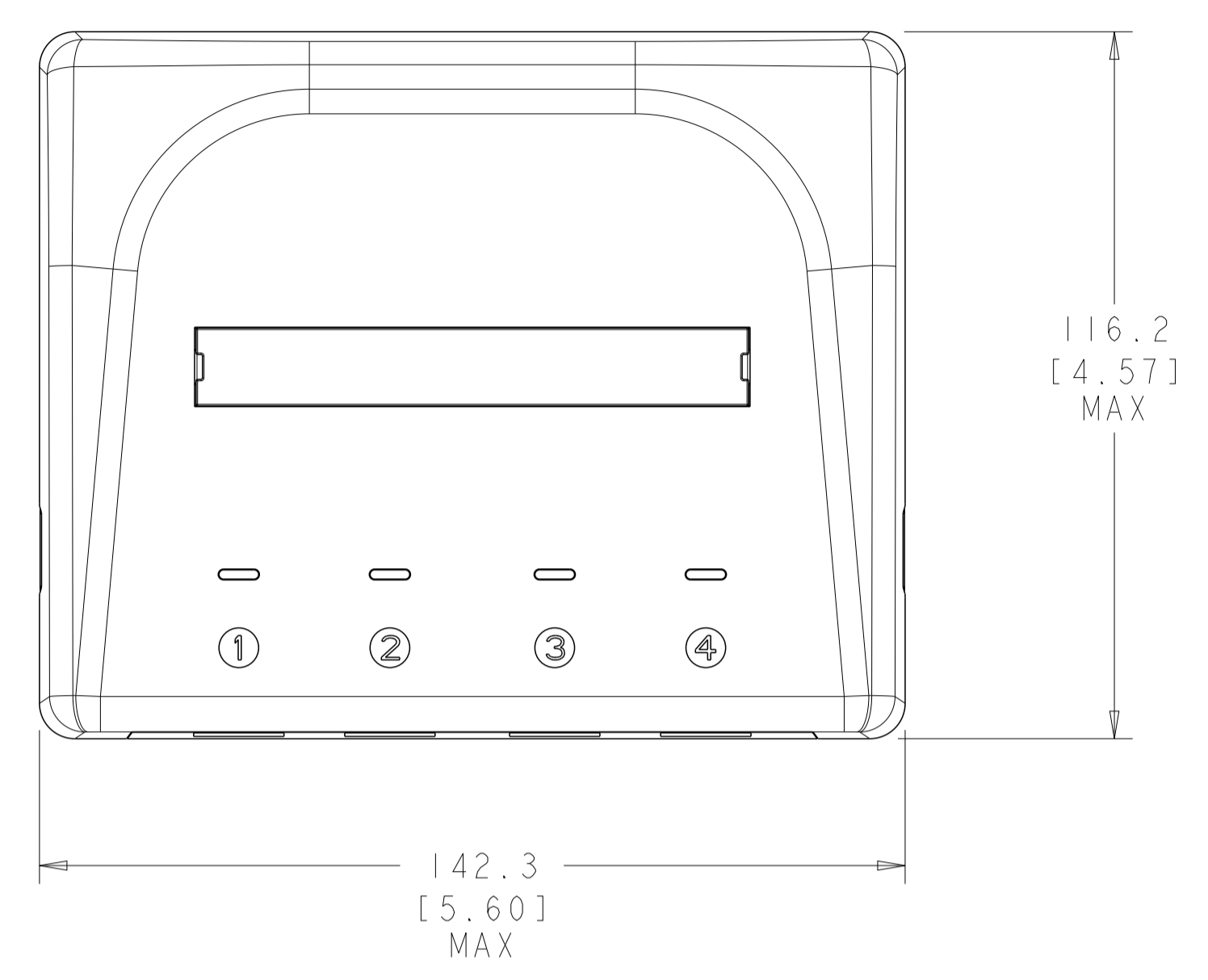
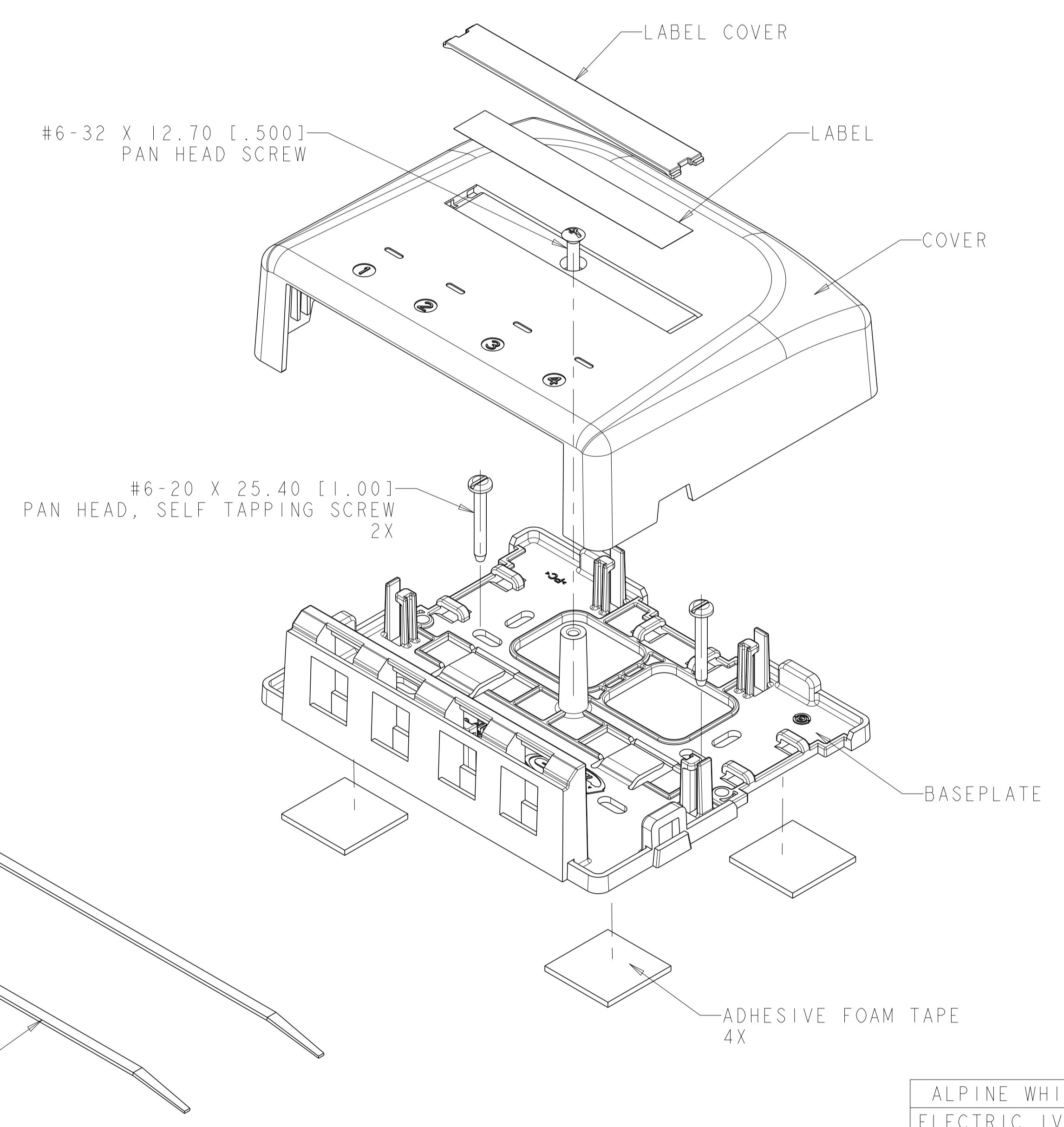


LOC		DIST		REVISIONS			
P	LTN	DESCRIPTION	DATE	DMN	APVD		
A		RLSD; ECO-09-006765	16 MAR2009	GG	RA		
B		REV: ECO-10-012110	10 JUN2010	GG	RA		
C		REV: MCO-40026185MCO	09 NOV2015	HG	LS		



⚠ MATERIAL: BASE & COVER - POLYCARBONATE MOLDING COMPOUND. SEE TABLE FOR COLOR.  
 LABEL COVERS - POLYCARBONATE MOLDING COMPOUND.  
 LABEL - WHITE INDEX PAPER.  
 SCREWS - ZINC PLATED CARBON STEEL.  
 FOAM TAPE - POLYETHYLENE  
 CABLE TIE - NYLON 6/6

- THIS KIT SHIPPED NOT ASSEMBLED.
- ACCEPTS ANY COMBINATION OF 110 CONNECT, SL-SERIES, AND AMP-TWIST MODULAR JACKS, MT-RJ OUTLET JACKS AND SL SERIES MULTI MEDIA INSERTS.
- BASE ACCEPTS TWO MAGNETS FOR OPTIONAL MOUNTING TO METAL SURFACE. MAGNETS (1933677-1) PURCHASED SEPARATELY.



ALPINE WHITE	I-1933671-3
ELECTRIC IVORY	I-1933671-1
NEMA GRAY	1933671-4
BLACK	1933671-2
LIGHT ALMOND	1933671-1
COLOR	PART NUMBER

<small>THIS DRAWING IS UNPUBLISHED. RELEASED FOR PUBLICATION. ALL RIGHTS RESERVED. THIS DRAWING IS THE PROPERTY OF TYCO ELECTRONICS CORPORATION. IT IS TO BE USED ONLY FOR THE PURPOSES AND IN THE QUANTITIES SPECIFIED IN THE ORDER. NO PARTS OR INFORMATION FROM THIS DRAWING IS TO BE REPRODUCED OR TRANSMITTED IN ANY FORM OR BY ANY MEANS, ELECTRONIC OR MECHANICAL, INCLUDING PHOTOCOPYING, RECORDING, OR BY ANY INFORMATION STORAGE AND RETRIEVAL SYSTEM, WITHOUT THE WRITTEN PERMISSION OF TYCO ELECTRONICS CORPORATION.</small>		DMN: J. MCNEAL 02JUN2008 CHK: S. TOBEY 02JUN2008 APVD: S. TOBEY 02JUN2008	Tyco Electronics Harrisburg, PA 17105-3608
DIMENSIONS: mm [ INCHES ]	TOLERANCES UNLESS OTHERWISE SPECIFIED: 0 PLC ±. 1 PLC ±.25 2 PLC ±. 3 PLC ±. 4 PLC ±. ANGLES ±2° FINISH:	NAME: KIT, 4 PORT SURFACE MOUNT MODULE PRODUCT SPEC: APPLICATION SPEC: WEIGHT:	SIZE: CAGE CODE DRAWING NO. RESTRICTED TO: A100779C=1933671 SCALE: 1:2 SHEET 1 OF 1 REV C
MATERIAL:		Customer Drawing	