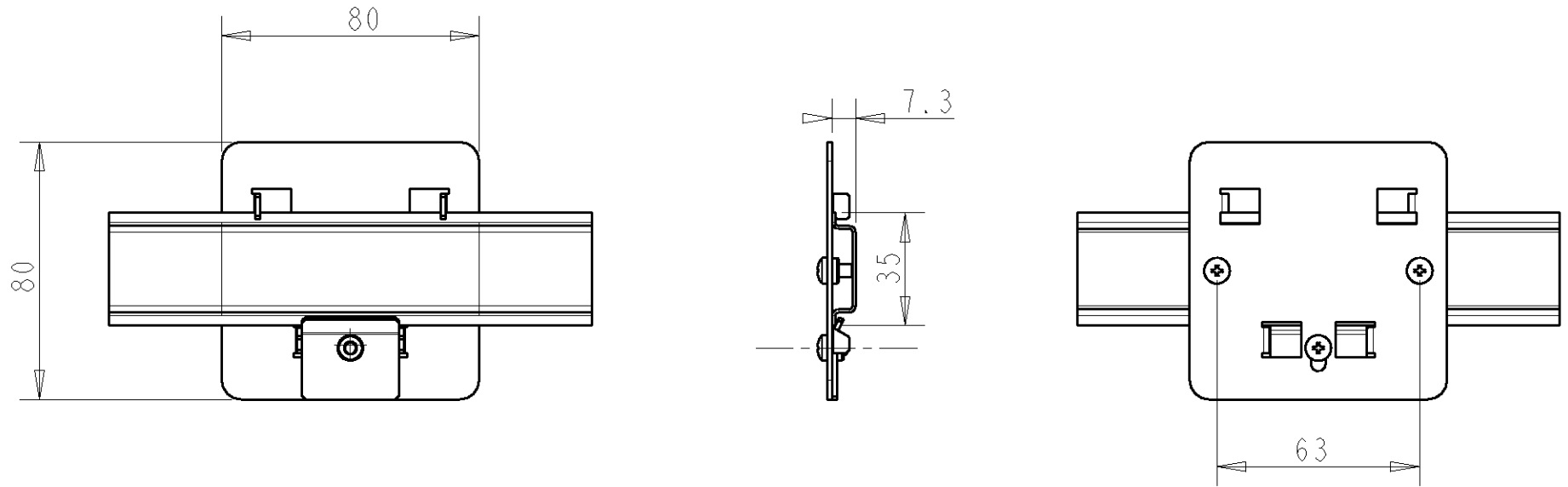
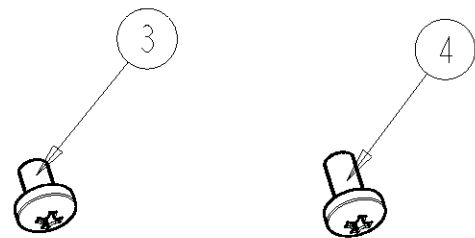


SCALE 1.000



MOUNTING HARDWARE INCLUDED:



| | | | |
|---|---|--|------------------------------------|
| | 2 | Screw DIN7985 M4x8 | 4 |
| | 1 | Screw DIN7985 M4x6 | 3 |
| | 1 | DIN-Rail adaptor slider | 2 |
| | 1 | DIN-Rail adaptor base | 1 |
| | 0--1 | DESCRIPTION | ITEM |
| | QTY | | |
| CUSTOMER DRAWING | | AMP part N° : 1671164 | |
| DRAWING STATUS | REVISION DESCRIPTION: - | | |
| RELEASED | DRAWING BY NAME: R. VANDOREN DATE: 8-NOV-2007 | DRAWING REVISION BY NAME: - DATE: - | VOLUME in mm ³ 17354 |
| SCALE: 0.500 | DRAWING FORMAT A3 | DRAWING TITLE | |
| ISO-SYMBOL | GENERAL TOLERANCE | UNIVERSAL DIN RAIL ADAPTOR | |
| | | DRAWING_SHEET_REVISION NUMBER D_0016706_01_AA | REVISION AA |
| TYCO/Electronics - Raychem N.V. DIESTSESTEENWEG 692 B-3010 KESSEL-LO, BELGIUM | | THIS DRAWING AND INFORMATION SET FORTH HEREON ARE THE PROPERTY OF TYCO/Electronics/Raychem N.V. AND ARE TO BE HELD IN TRUST AND CONFIDENCE. PUBLICATION, DUPLICATION, DISCLOSURE OR USE FOR ANY PURPOSE NOT EXPRESSLY AUTHORIZED IN WRITING BY TYCO/Electronics IS PROHIBITED. | |