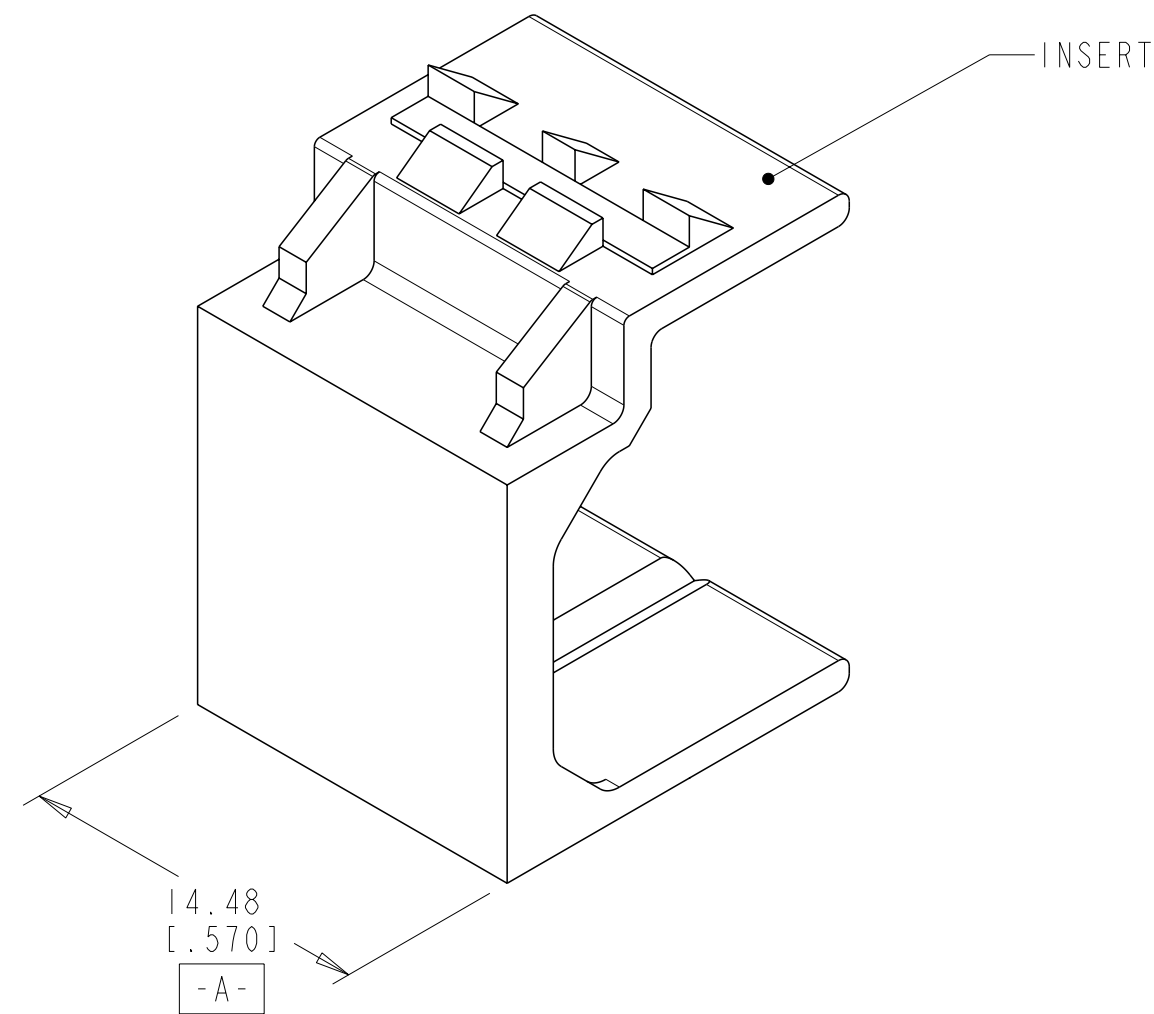
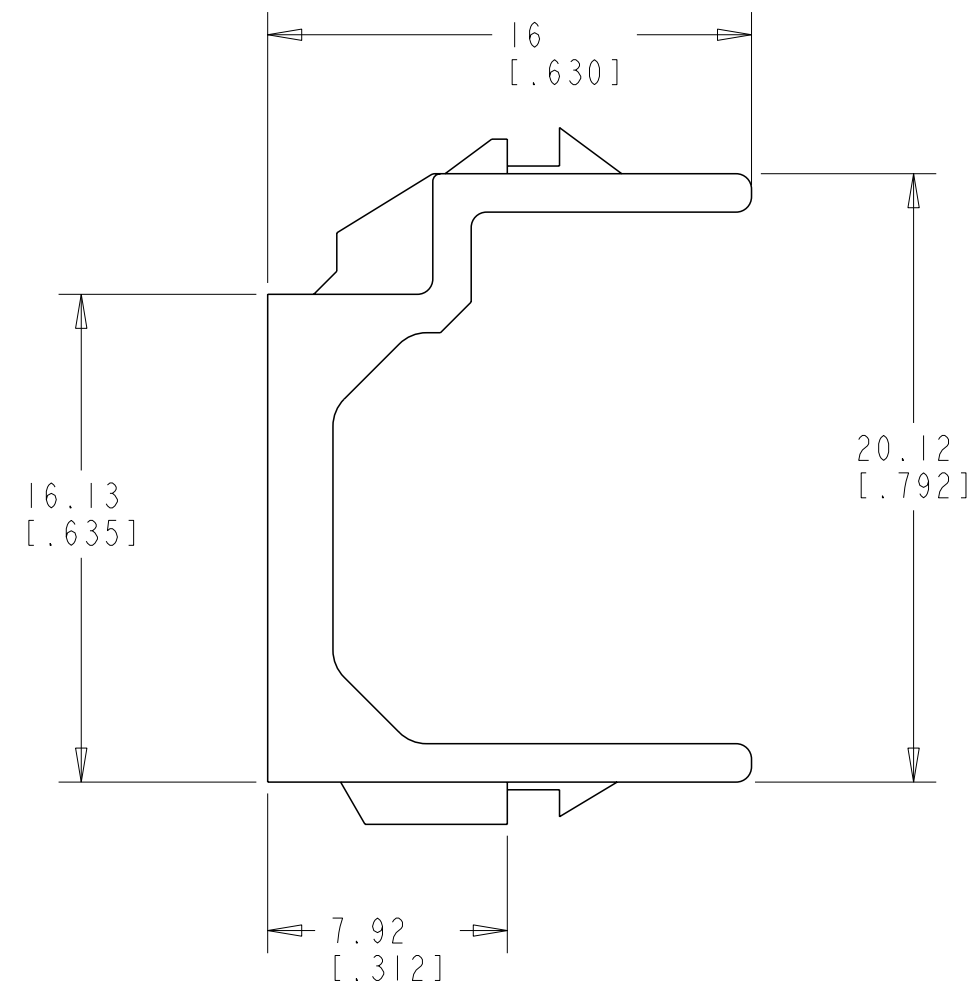


THIS DRAWING IS UNPUBLISHED. RELEASED FOR PUBLICATION
 © 2016 COMMSCOPE INC. CONFIDENTIAL NOTICE: THESE DRAWINGS AND SPECIFICATIONS ARE THE PROPRIETARY PROPERTY OF COMMSCOPE, INC. AND MAY BE USED ONLY FOR THE SPECIFIC PURPOSE AUTHORIZED IN WRITING BY COMMSCOPE, INC.

REVISIONS				
P	LTR	DESCRIPTION	DATE	APVD
	E	REV; 40030902MCO	26JUL2016	GG LS



SCALE 4:1



1. MATERIAL:
 INSERT: POLYCARBONATE MOLDING COMPOUND.
 SEE TABLE FOR COLOR.

2. DIMENSIONS SHOWN FOR REFERENCE ONLY.

ALPINE WHITE	1-1116412-3
ELEC IVORY	1-1116412-1
NEMA GRAY	1116412-4
WHITE	1116412-3
BLACK	1116412-2
LT ALMOND	1116412-1
COLOR	PART NO

THIS DRAWING IS A CONTROLLED DOCUMENT.		DWN T. PITTS 15SEP99	COMMSCOPE, INC.	
DIMENSIONS: mm [INCHES]		CHK R. MARTIN 18NOV99		
TOLERANCES UNLESS OTHERWISE SPECIFIED:		APVD R. MARTIN 09DEC99	NAME INSERT, BLANK, TOOL-LESS, SL SERIES	
0 PLC ±-	1 PLC ±-	PRODUCT SPEC	SIZE	RESTRICTED TO
2 PLC ±.13 [0.05]	3 PLC ±-	APPLICATION SPEC	A2	-
4 PLC ±-	ANGLES ±-	WEIGHT	CAGE CODE	DRAWING NO
MATERIAL	FINISH	CUSTOMER DRAWING	00779	G-1116412
		SCALE 4:1	SHEET 1 OF 1	REV E