

MODULAR JACK	CABLE STANDARD
SL Series	Categories 3, 5e, 6
Secure SL Series	Categories 6
KL Series, KLS Series, and E-Series	Categories 5e, 6

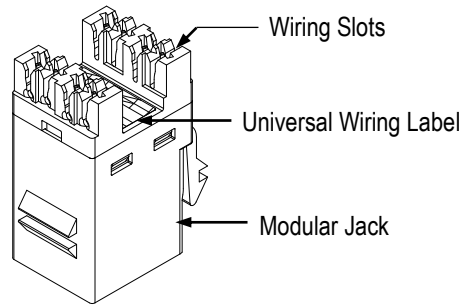


Figure 1

1. INTRODUCTION

This instruction sheet provides the termination procedure for the modular jacks given in Figure 1. To obtain information on AMP NETCONNECT products, call PRODUCT INFORMATION at the number at the bottom of this page, or visit www.ampnetconnect.com.



NOTE

Dimensions in this instruction sheet are in metric units [with U.S. customary units in brackets]. Figures are not drawn to scale.

Reasons for reissue of this instruction sheet are provided in Section 6, REVISION SUMMARY.

2. DESCRIPTION

Each modular jack accepts 4-pair, twisted-pair cable with solid conductor sizes 24 through 22 AWG or stranded conductor sizes 26 through 24 AWG with a maximum conductor insulation diameter of 1.45 mm [.057 in.]. The modular jack features a universal wiring label used to aid in proper wire color coding and a wiring block that terminates the wire. See Figure 1. Optional strain reliefs are available separately.

3. TERMINATION

1. If using an optional strain relief, slide it over the cable jacket. Refer to Figure 2.
2. Strip only as much of the cable jacket as necessary to perform the termination. If using an optional strain relief, refer to Section 4 for total height of modular jack after installation.



NOTE

Generally, a strip length of 35 mm [1.378 in.] when using SL series modular jack tool kit 1725150-1 for termination will suffice and 50.8 mm [2.0 in.] when using impact tool 1583608-1. The preferred choice of termination tool is SL series modular jack tool kit and the secondary choice is the impact tool.

Note: Not to Scale

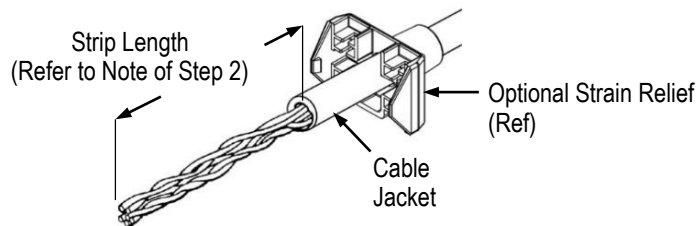
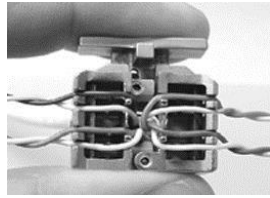


Figure 2

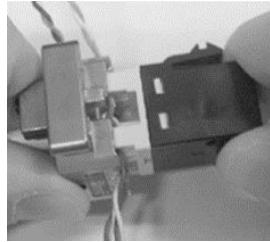
3.2. Using SL Series Modular Jack Tool Kit (Preferred Choice)

Figure 3 shows a general termination procedure when using the SL series modular jack tool kit. For detailed information, refer to instruction sheet [408-8858](#).

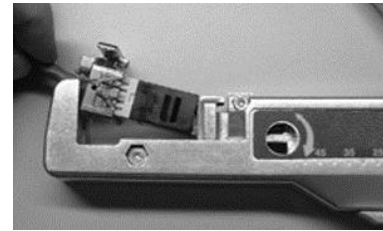
- ① Close lacing fixture around cable, then lace wires according to wiring label.



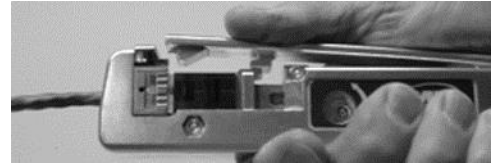
- ② Insert modular jack into lacing fixture, aligning the color-coded wires.



- ③ Insert lacing fixture (with modular jack) into tool as shown.



- ④ Compress tool handle.



- ⑤ Remove modular jack by moving it back and forth.

Figure 3

3.3. Using Impact Tool (Secondary Choice)

1. Align and lace a color-coded wire pair with the appropriate slots of the modular jack as indicated by the color coding on the universal wiring label. Use the following minimum slack while maintaining twist: Category 3e — 75 mm [3 in.] Category 5e — 12.7 mm [.50 in.] Category 6 — 6 mm [.24 in.]
2. Set the impact tool setting for low-impact. Position the tool so the cutoff blade is on the outside of the modular jack and oriented vertically.
3. Using the impact tool, punch the wires down into the slot, and cut off excess wire. Remove any loose wire pieces.

4. INSTALLING OPTIONAL STRAIN RELIEF

If using, slide the optional strain relief onto the modular jack until the latches of the strain relief engage of the modular jack as shown in Figure 4. The required total height of the modular jack with the strain relief installed is given in Figure 4.

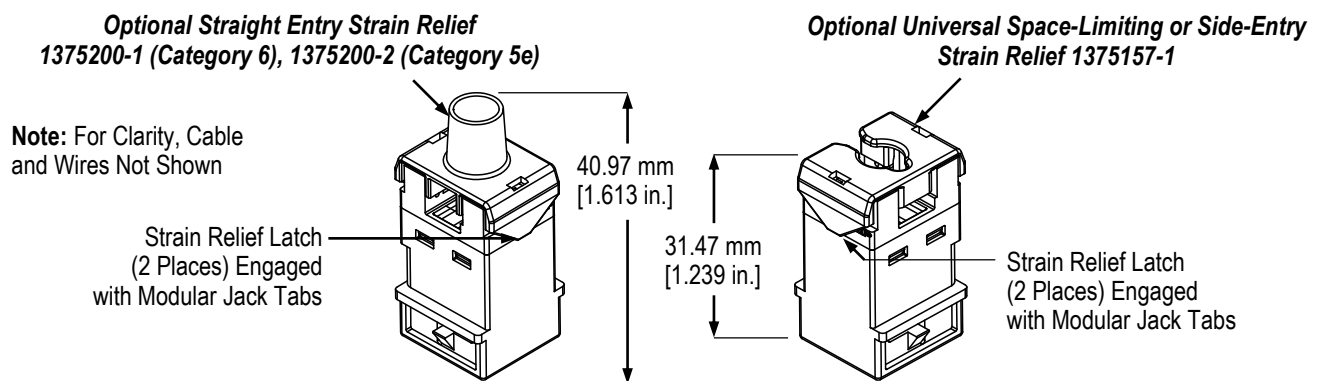


Figure 4

5. REPLACEMENT

Do not use damaged or defective product. These modular jacks are not repairable.

6. REVISION SUMMARY

Revisions to this instruction sheet include:

- Removed 110Connect from and added E-series to title of instruction sheet, and added conductor size 26 AWG