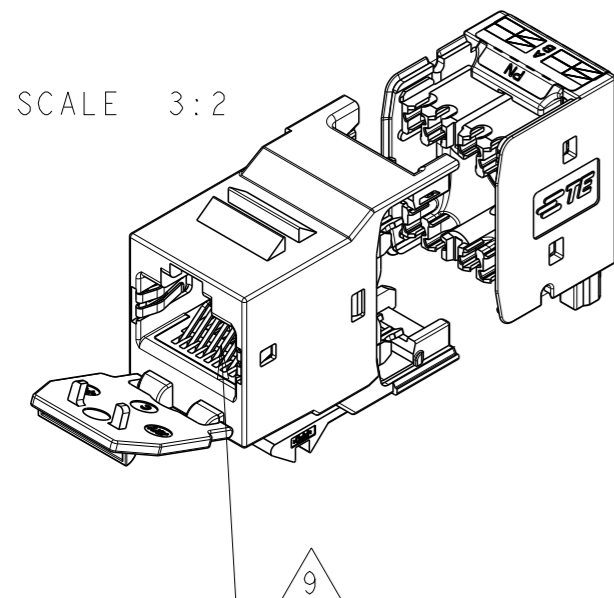
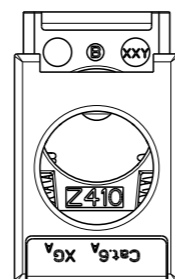


REVISIONS

| P | LTR | DESCRIPTION | DATE | DWN | APVD |
|---|-----|---------------------------------|-----------|-----|------|
| | B2 | Note 9: Clarified/Compatibility | 10JUN2014 | ACG | JS |
| | | | | | |
| | | | | | |



SCALE 3:2



COLOR CODING / LABELING

1. MATERIAL:

- FRONT AND REAR HOUSING, CABLE CLAMP: ZAMAK 5. (Z410).
- IDC CONNECT BLOCK, DUST COVER AND LACING FIXTURE: POLYCARBONATE.
- OTHER PLASTIC PARTS: HIGH TEMPERATURE PLASTIC.
- CUTTING BLADE, SPRINGS AND SHIELD CONTACT POINT: STAINLESS STEEL.
- JACK CONTACTS: PHOSPHOROUS BRONZE, PLATED WITH 1.27 μ m MINIMUM THICK GOLD IN LOCALIZED AREA AND 3.81 μ m MINIMUM THICK MATTE TIN IN SOLDER AREA OVER 1.27 μ m MINIMUM THICK NICKEL UNDERPLATE.
- IDC TERMINALS: PHOSPHOROUS BRONZE, PLATED WITH 3.81 μ m MINIMUM THICK MATTE TIN OVER 1.27 MINIMUM THICK NICKEL UNDERPLATE.

2. AMP-TWIST 6AS SL JACK WILL TERMINATE:

- SOLID CONDUCTORS: 22-24 AWG.
- STRANDED CONDUCTORS: 24 AWG.
- MAX. INSULATION DIAMETER: \varnothing 1.60 mm.
- MAX. CABLE JACKET: \varnothing 9.00 mm.

3. JACK INTERFACE DIMENSIONS ACCORDING TO IEC 60603-7-5 1st Ed.

4. MOUNTING PANEL THICKNESS 1.47-1.60 mm. (SEE SUGGESTED CUTOUT).

5 SUGGESTED CUTOUT OPENING.

6 PACKAGING: REFER TO ADEQUATE TE PACKAGING SPEC:

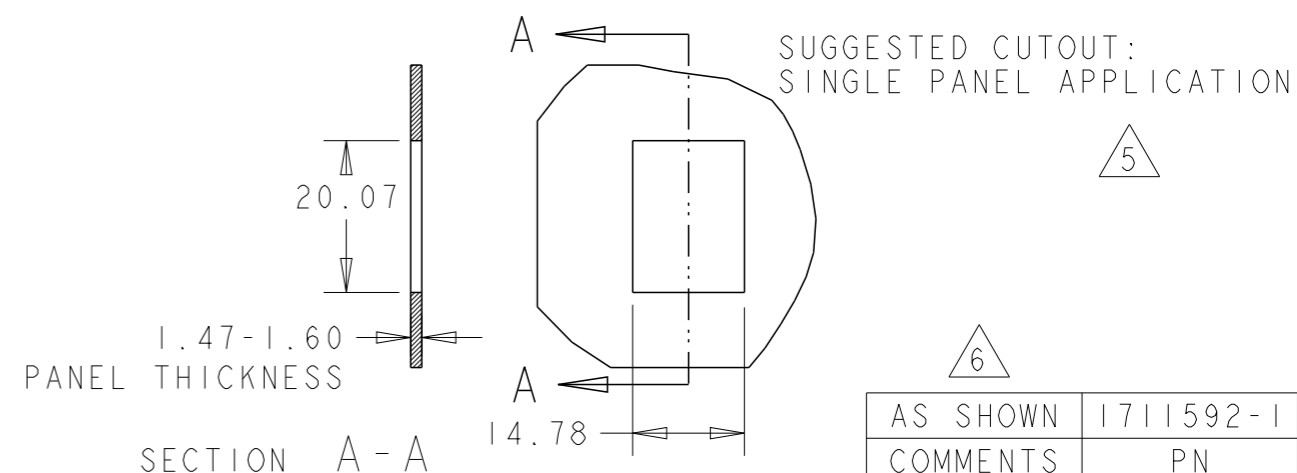
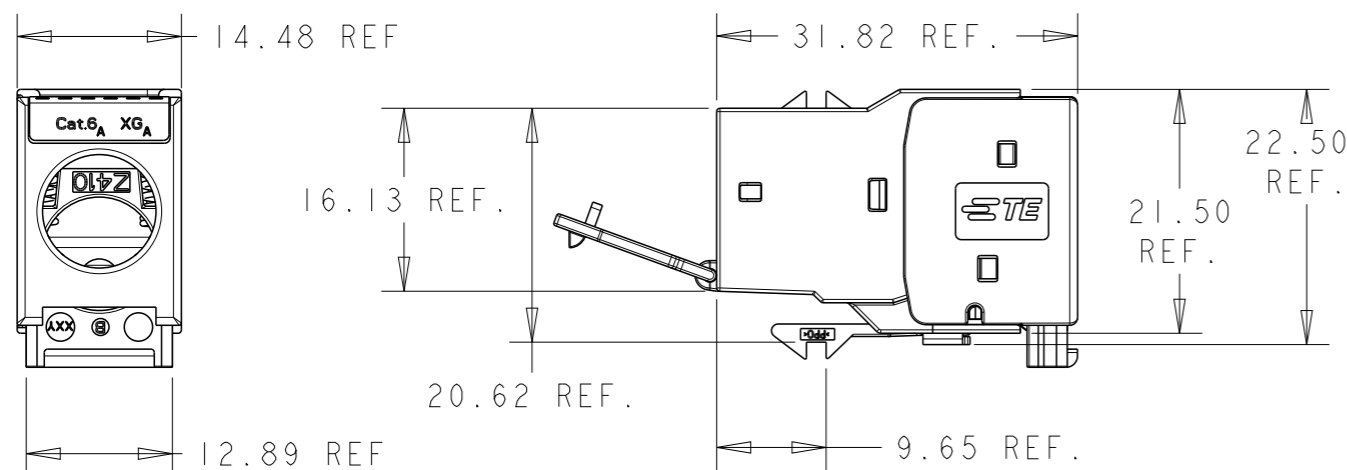
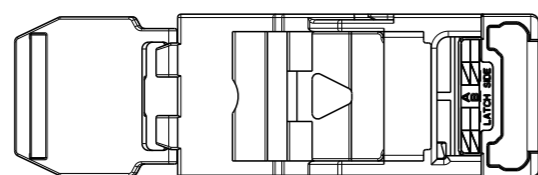
- DASH 1: PVC TRAY PACKAGING.
- DASH 6/1: INDIVIDUAL BAG PACKAGING.

7. FOR TERMINATION PROCESS USE SL SERIES TOOL PN 1725150-3.
REFER TO APPLICATION SPEC. 114-93016 FOR DUST COVER REPLACEMENT.

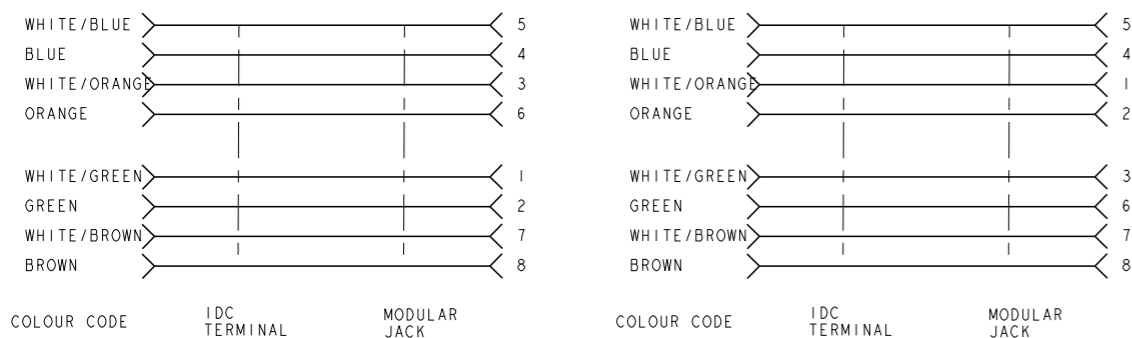
8. DIMENSIONS SHOWN ARE FOR REFERENCE ONLY.

9 THIS INTERCONNECT MEETS THE REQUIREMENTS OF IEC 60603-7:

- > RJ45 COMPATIBLE WITH RJ PLUGS: 6 POSITIONS 6 CONDUCTORS; 6P6C.
- > RJ45 NOT COMPATIBLE WITH ANY VERSION OF PLUG PARTIALLY LOADED (i.e. 6P2C, 8P6C,...)



ELECTRICAL SCHEMATIC: WIRING T568 A/B



THIS DRAWING IS A CONTROLLED DOCUMENT.

| DIMENSIONS: | TOLERANCES UNLESS OTHERWISE SPECIFIED: |
|-------------|--|
| mm | |
| | 0 PLC \pm - |
| | 1 PLC \pm 0.20 |
| | 2 PLC \pm 0.10 |
| | 3 PLC \pm - |
| | 4 PLC \pm - |
| | ANGLES \pm - |
| MATERIAL | FINISH |
| - | - |
| - | - |

| | |
|------------------|-----------|
| DWN | 07MAY2009 |
| A. CARRERAS | |
| CHK | 07MAY2009 |
| L. DE DIOS | |
| APVD | 28AUG2009 |
| J. SANABRA | |
| PRODUCT SPEC | 108-93028 |
| APPLICATION SPEC | 411-93016 |
| WEIGHT | - |
| Customer Drawing | |

| | | | |
|---------------------------------------|-------|-----------------|-----------|
| | | TE Connectivity | |
| | | NAME | |
| AMP-TWIST 6AS SL JACK WITH DUST COVER | | SIZE | CAGE CODE |
| - | | 1711592 | - |
| DRAWING NO | | RESTRICTED TO | |
| C-1711592 | | - | - |
| SCALE | SHEET | OF | REV |
| 2:1 | 1 | 1 | B2 |