

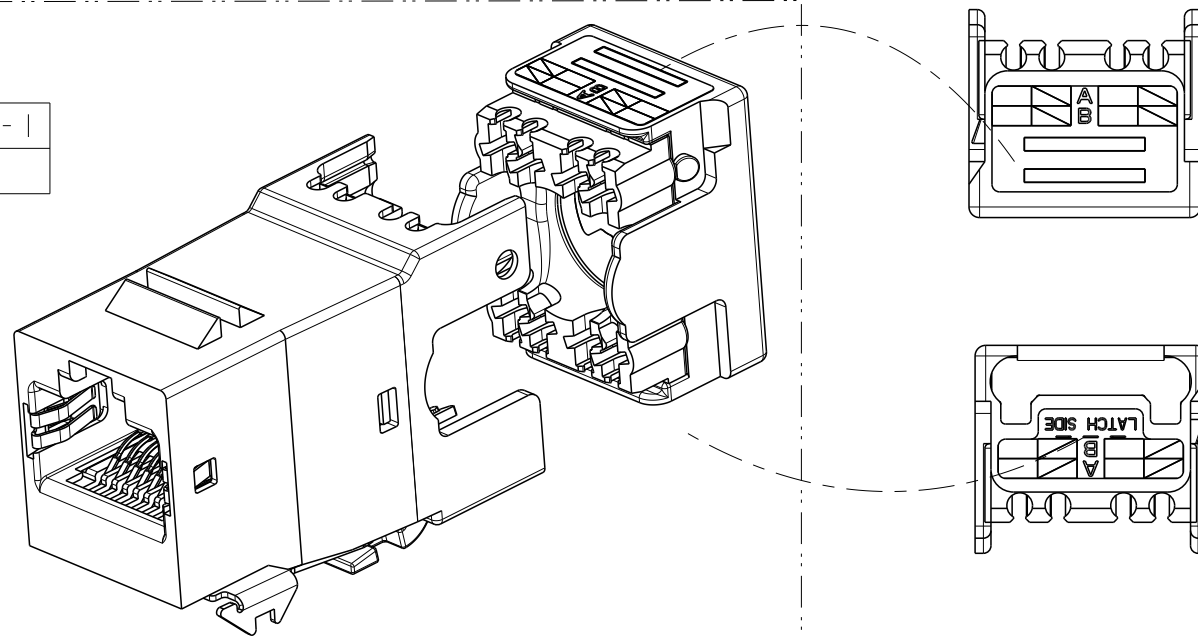
108-93044	1711342-2
108-93003	1711342-1
PRODUCT SPEC.	PN-DASH

COLOUR CODING / LABELS:

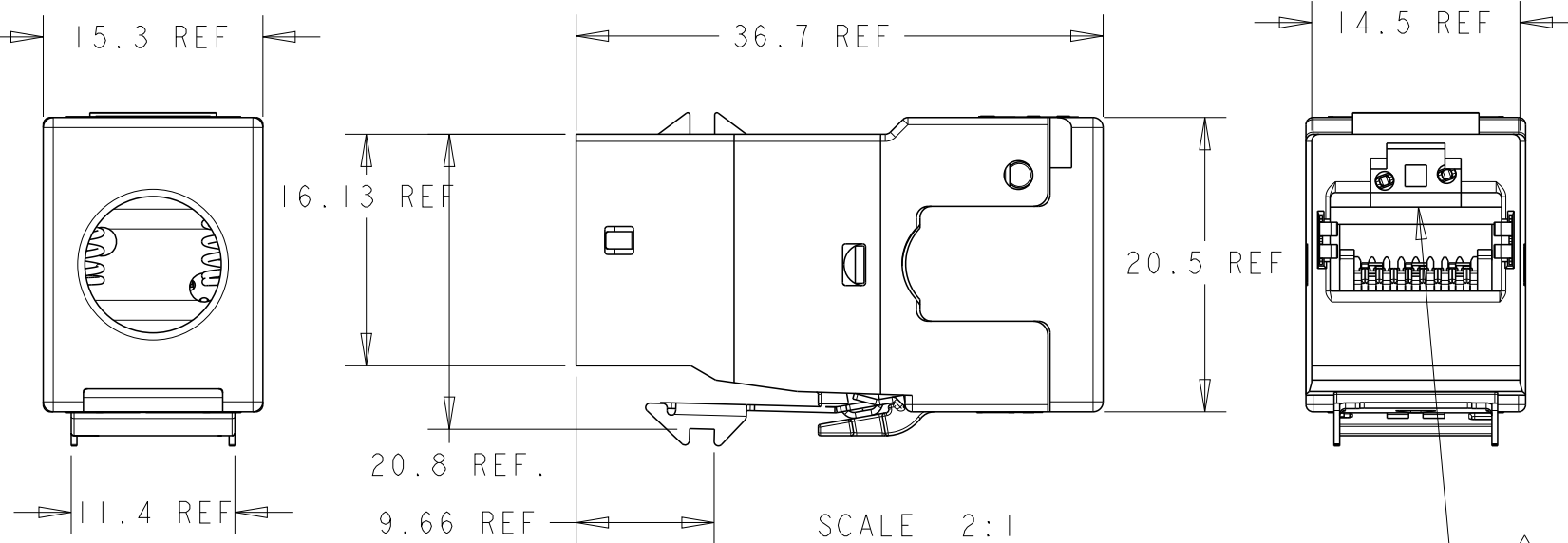
AS SHOWN	1711342-1
COMMENTS	PN



GENERAL VIEW



SCALE 2:1



SCALE 2:1



MATERIAL:

- FRONT AND REAR HOUSING, CABLE CLAMP: ZAMAK 5. (Z410).
- IDC CONNECT BLOCK, DUST COVER AND LACING FIXTURE: POLYCARBONATE NATURAL.
- CUTTING BLADE, SPRINGS, SHIELD CONTACT POINT AND LATCH: STAINLESS STEEL.
- JACK CONTACTS: BERYLLIUM COPPER, PLATED WITH 1.27  $\mu$ m MINIMUM THICK GOLD IN LOCALIZED AREA AND 3.81  $\mu$ m MINIMUM THICK MATTE TIN IN SOLDER AREA OVER 1.27  $\mu$ m MINIMUM THICK NICKEL UNDERPLATE.
- IDC TERMINALS: PHOSPHOROUS BRONZE, PLATED WITH 3.81  $\mu$ m MINIMUM THICK BRIGHT MATTE TIN OVER 1.27 MINIMUM THICK NICKEL UNDERPLATE.



AMP-TWIST-6S SL JACK WILL TERMINATE:

- SOLID CONDUCTORS: 22-26 AWG.
- STRANDED CONDUCTORS: 24-26 AWG.
- MAX. INSULATION DIAMETER:  $\phi$ 1.60 mm.
- MAX. CABLE JACKET:  $\phi$ 9.00 mm.



CAVITY ACCORDING TO IEC 60603-7-5 Ed. 1.0



MOUNTING PANEL THICKNESS 1.47-1.60 mm. (SEE SUGGESTED CUTOUT).



THESE TWO SUGGESTED CUTOUT OPENINGS ARE USED IN TANDEM WITH DUAL FRONT AND BACK CUTOUTS.



PACKAGING: ACCORDING TO SPEC. 107-93003.

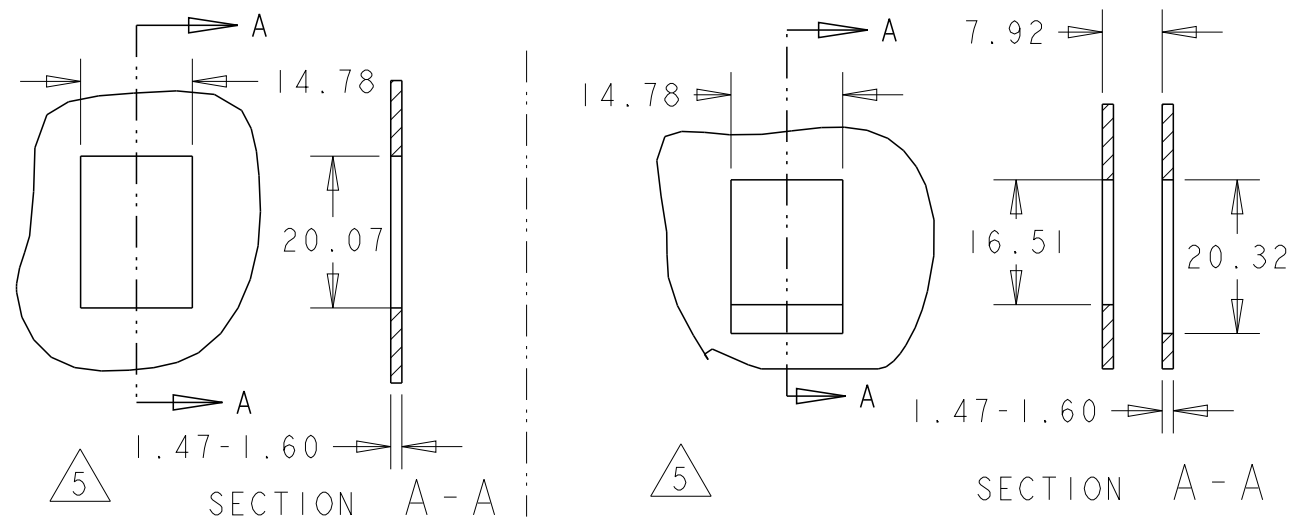


REFER TO 411-93007 FOR TERMINATION INSTRUCTIONS USING SL SERIES TOOL TERMINATION: SL SERIES JACK TOOL PN 1725150-3.

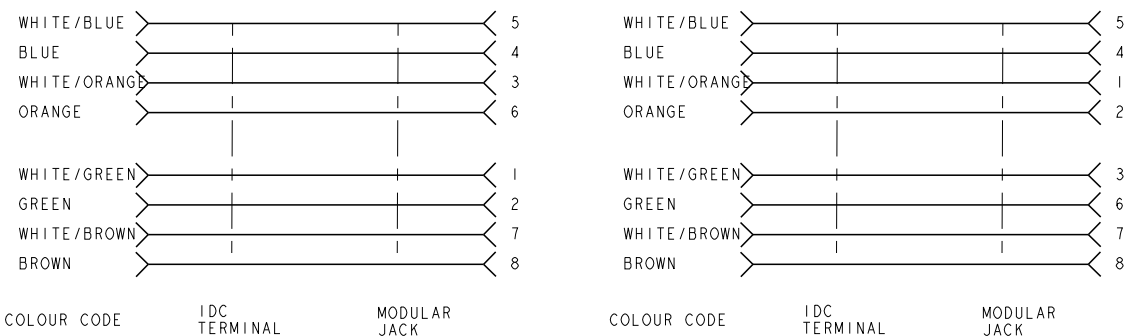


DIMENSIONS SHOWN ARE FOR REFERENCE ONLY.

SUGGESTED CUTOUT: SINGLE AND FLUSH-MOUNT APPLICATION

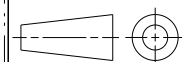


ELECTRICAL SCHEMATIC: WIRING T568 A/B



THIS DRAWING IS A CONTROLLED DOCUMENT.

DIMENSIONS: mm



MATERIAL

TOLERANCES UNLESS OTHERWISE SPECIFIED:

0 PLC	$\pm$
1 PLC	$\pm$
2 PLC	$\pm$
3 PLC	$\pm$
4 PLC	$\pm$
ANGLES	$\pm$
FINISH	-

DWN	25JUL2005
CHK	A. CARRERAS
APVD	L. de DIOS
PRODUCT SPEC	J. SANABRA
APPLICATION SPEC	108-93003
WEIGHT	411-93007
Customer Drawing	

NAME			
AMP-TWIST 6S SL JACK REAR CABLE EXIT W/O DUST COVER			
SIZE	CAGE CODE	DRAWING NO	RESTRICTED TO
A3	-	C-1711342	-
SCALE	SHEET	OF	REV
1:1			D3

