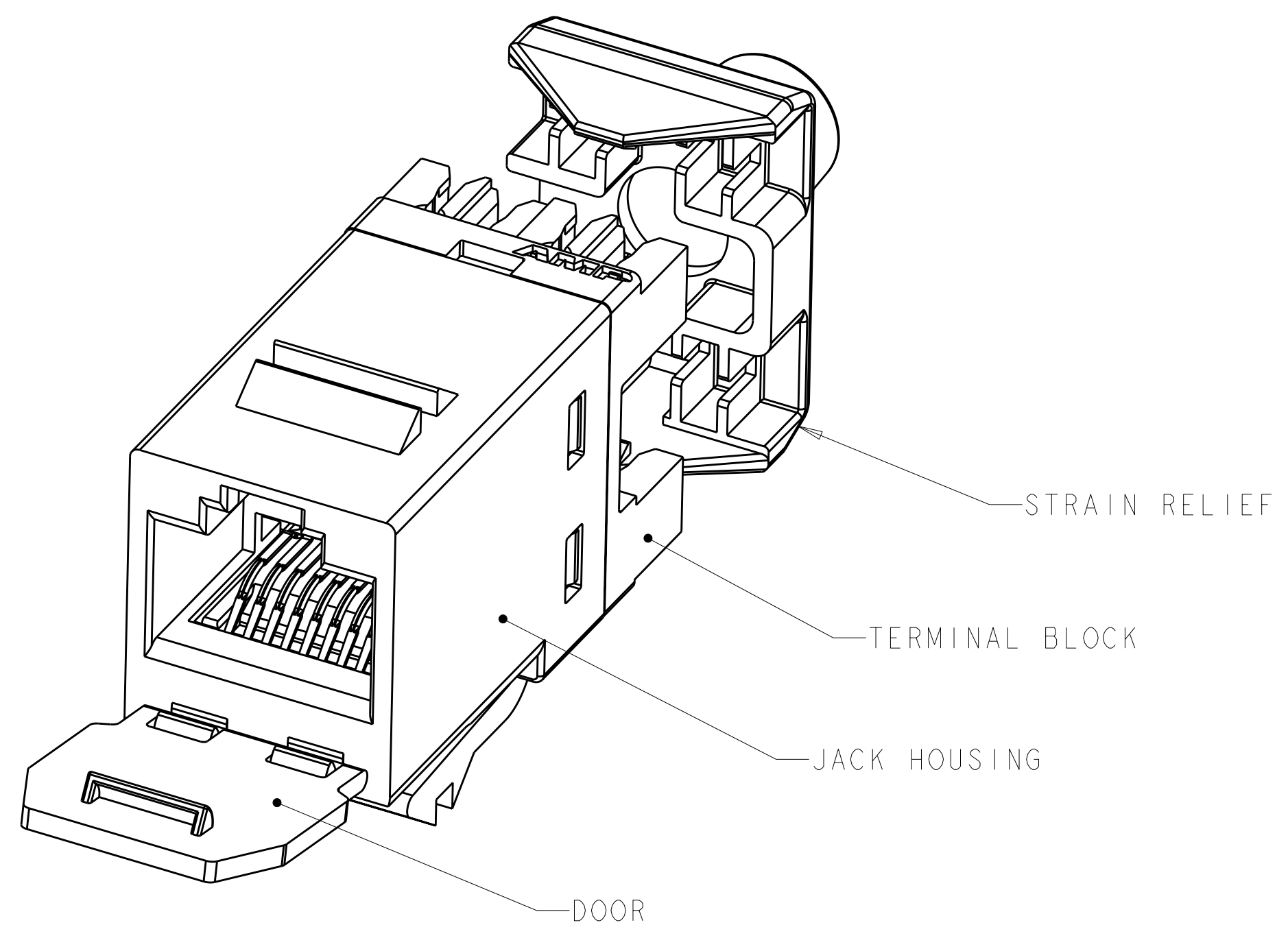
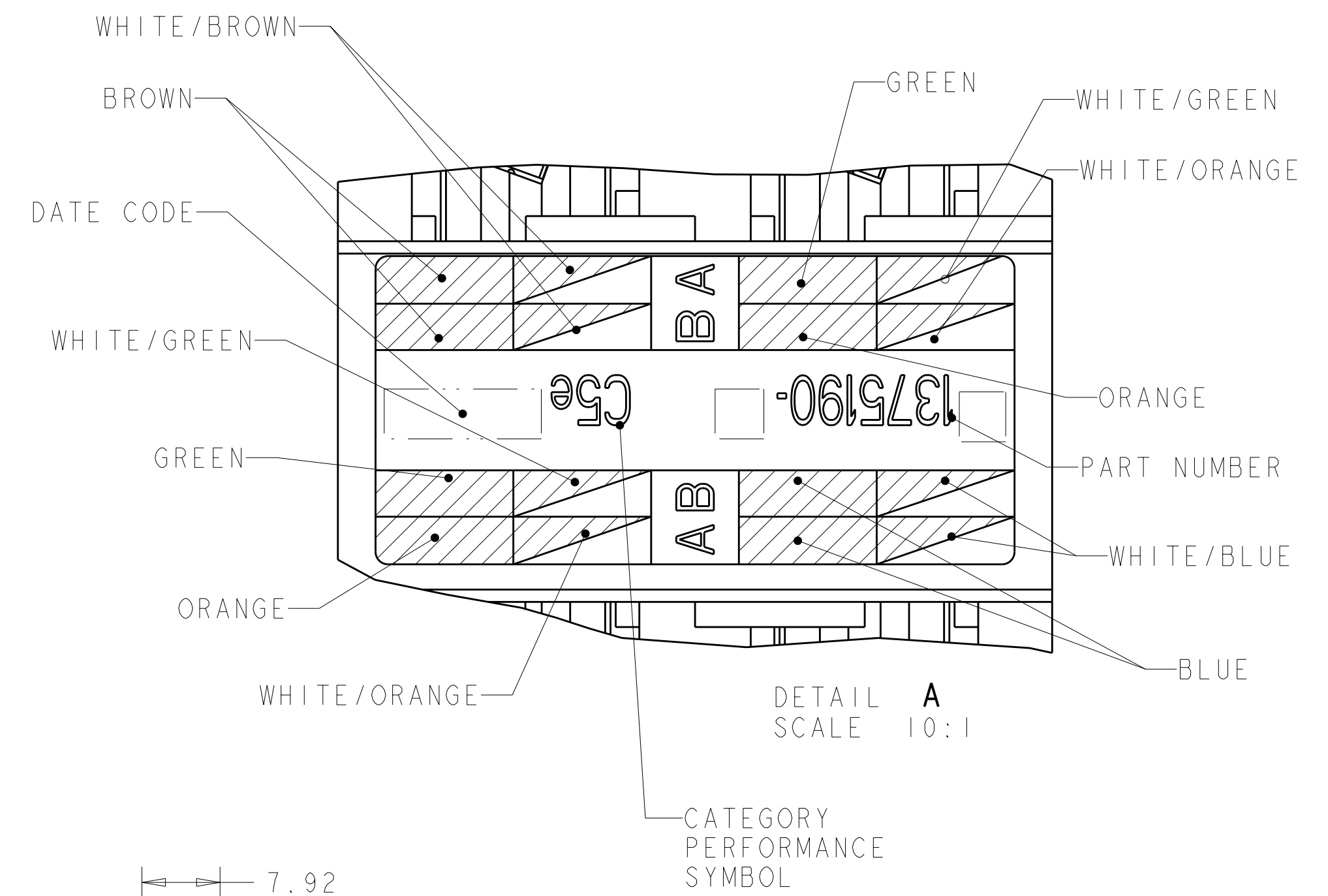
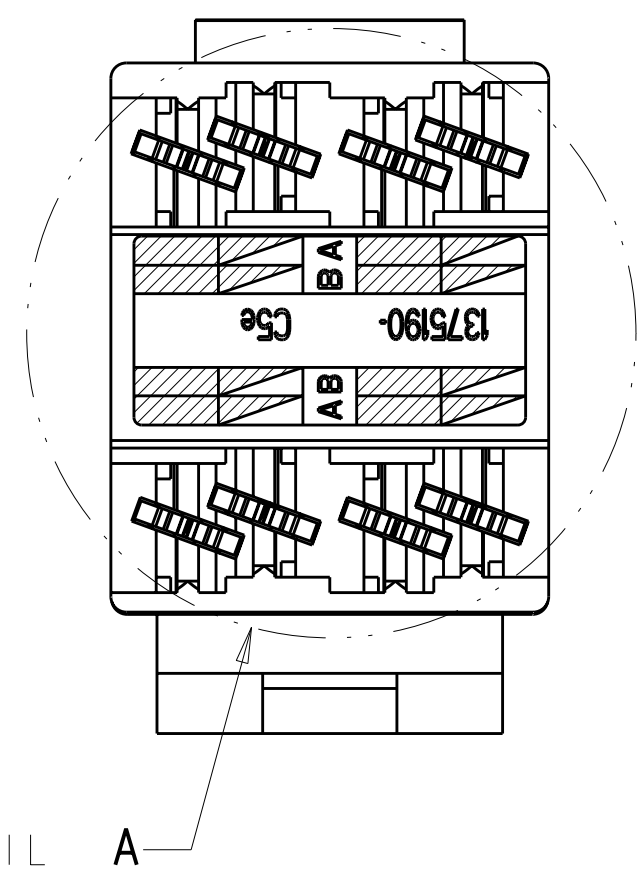
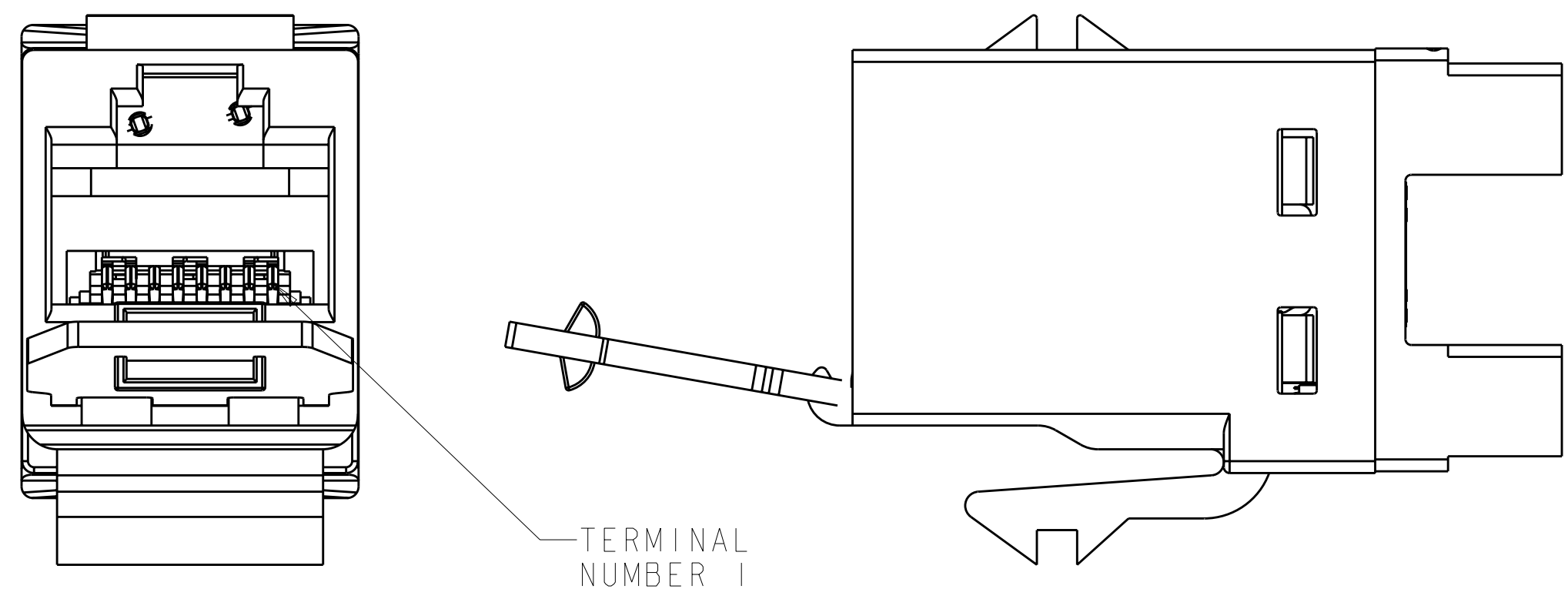


LOC	DIST	REVISIONS			
HM	00	REV	DESCRIPTION	DATE	BY
		H	ADD 1-3, REV ECO-10-004736	08MAR2010	LH SA
		J	REV ECO-11-018963	20SEP2011	LH SA
		K	REV ECO-11-019781	07OCT2011	JB SA



- 1 MATERIAL: JACK HOUSING - POLYCARBONATE, 94V-0 RATED. 110 BLOCK, STRAIN RELIEF AND DOOR - POLYCARBONATE. ARRAY TRAY - PBT POLYESTER. JACK CONTACTS ARRAY - BERYLLIUM COPPER, PLATED WITH 1.27µm [.000050] MINIMUM THICK GOLD IN LOCALIZED AREA AND 3.81µm [.000150] MINIMUM THICK MATTE TIN IN BOARD INTERFACE AREA OVER 1.27µm [.000050] MINIMUM THICK NICKEL UNDERPLATE. IDC TERMINALS - PHOSPHOROUS BRONZE, PLATED WITH 3.81µm [.00015] MINIMUM THICK MATTE TIN OVER 1.27µm [.00005] MINIMUM THICK NICKEL UNDERPLATE.
- 2. SL 110 JACK WILL TERMINATE 22-24 AWG SOLID AND 24-26 AWG STRANDED CONDUCTORS, 1.27[.050] MAXIMUM INSULATION DIAMETER. JACK WILL ACCEPT CONDUCTORS UP TO 1.45 [.057] BUT REQUIRE THE USE OF A STRAIN RELIEF.
- 3 CAVITY CONFORMS TO FCC RULES AND REGULATIONS PART 68 SUBPART F REQUIREMENTS.
- 4. MOUNTING PANEL THICKNESS 1.47 - 1.60 [.058 - .063].
- 5 THESE TWO SUGGESTED CUTOUT OPENINGS ARE USED IN TANDEM WITH DUAL FRONT AND BACK CUTOUTS.
- 6 ONE MODULAR JACK ASSEMBLY AND ONE SHIELD PER POLYBAG.
- 7 USE OF BEND LIMITING STRAIN RELIEF IS OPTIONAL.
- 8 REFER TO 408-8858 FOR TERMINATION INSTRUCTIONS USING SL SERIES TOOL TERMINATION. REFER TO 408-8417 FOR TERMINATION INSTRUCTIONS USING 110 PUNCH DOWN TOOL.

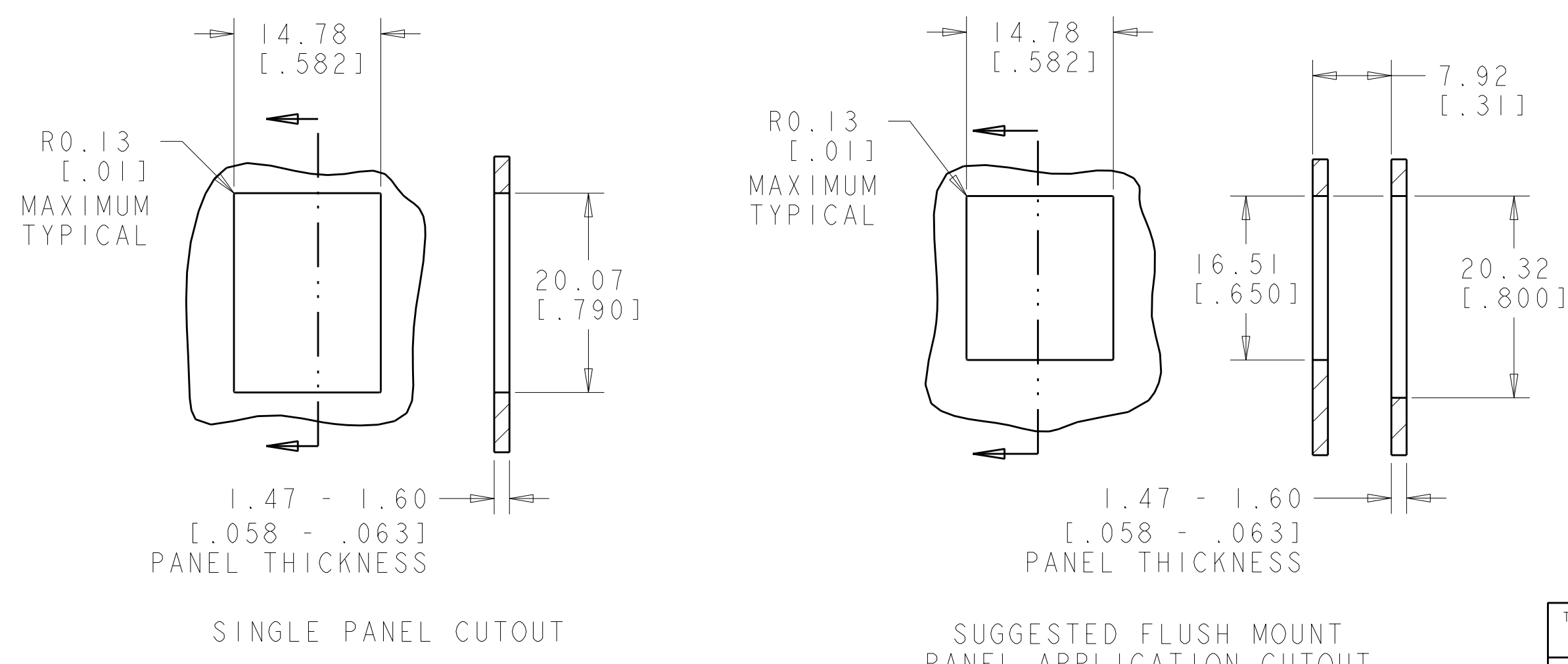


COLOR CODE	IDC TERMINAL	MODULAR JACK
WHITE/BLUE	5	5
BLUE	4	4
WHITE/ORANGE	3	3
ORANGE	6	6
WHITE/GREEN	1	1
GREEN	2	2
WHITE/BROWN	7	7
BROWN	8	8

ELECTRICAL SCHEMATIC T568A

COLOR CODE	IDC TERMINAL	MODULAR JACK
WHITE/BLUE	5	5
BLUE	4	4
WHITE/ORANGE	1	1
ORANGE	2	2
WHITE/GREEN	3	3
GREEN	6	6
WHITE/BROWN	7	7
BROWN	8	8

ELECTRICAL SCHEMATIC T568B



PACKAGE	HOUSING COLOR	PART NUMBER
	ALPINE WHITE	1-1375190-3
	ELECTRIC IVORY	1-1375190-1
	VIOLET	1-1375190-0
	GREEN	1375190-9
	YELLOW	1375190-8
	RED	1375190-7
	BLUE	1375190-6
	ORANGE	1375190-5
	NEMA GRAY	1375190-4
	WHITE	1375190-3
	BLACK	1375190-2
	LIGHT ALMOND	1375190-1

THIS DRAWING IS A CONTROLLED DOCUMENT.

DIMENSIONS: [mm] [inches]	TOLERANCES UNLESS OTHERWISE SPECIFIED:	9 PLC ±	3 PLC ±	5 PLC ±	4 PLC ±	ANGLES ±	MATERIAL	FINISH
---------------------------	--	---------	---------	---------	---------	----------	----------	--------

APPROVED: T. PIITS, L. SMITH, C. DOOLEY

PRODUCT SPEC: 108-1990, 108-1990-2

APPLICATION SPEC: 8

WEIGHT: A100779C=1375190

CUSTOMER DRAWING

SCALE: 4:1 SHEET 1 OF 1 REV K

STE TE Connectivity

ASSEMBLY, SL 110 JACK, DUSTCOVER, CATEGORY 5e