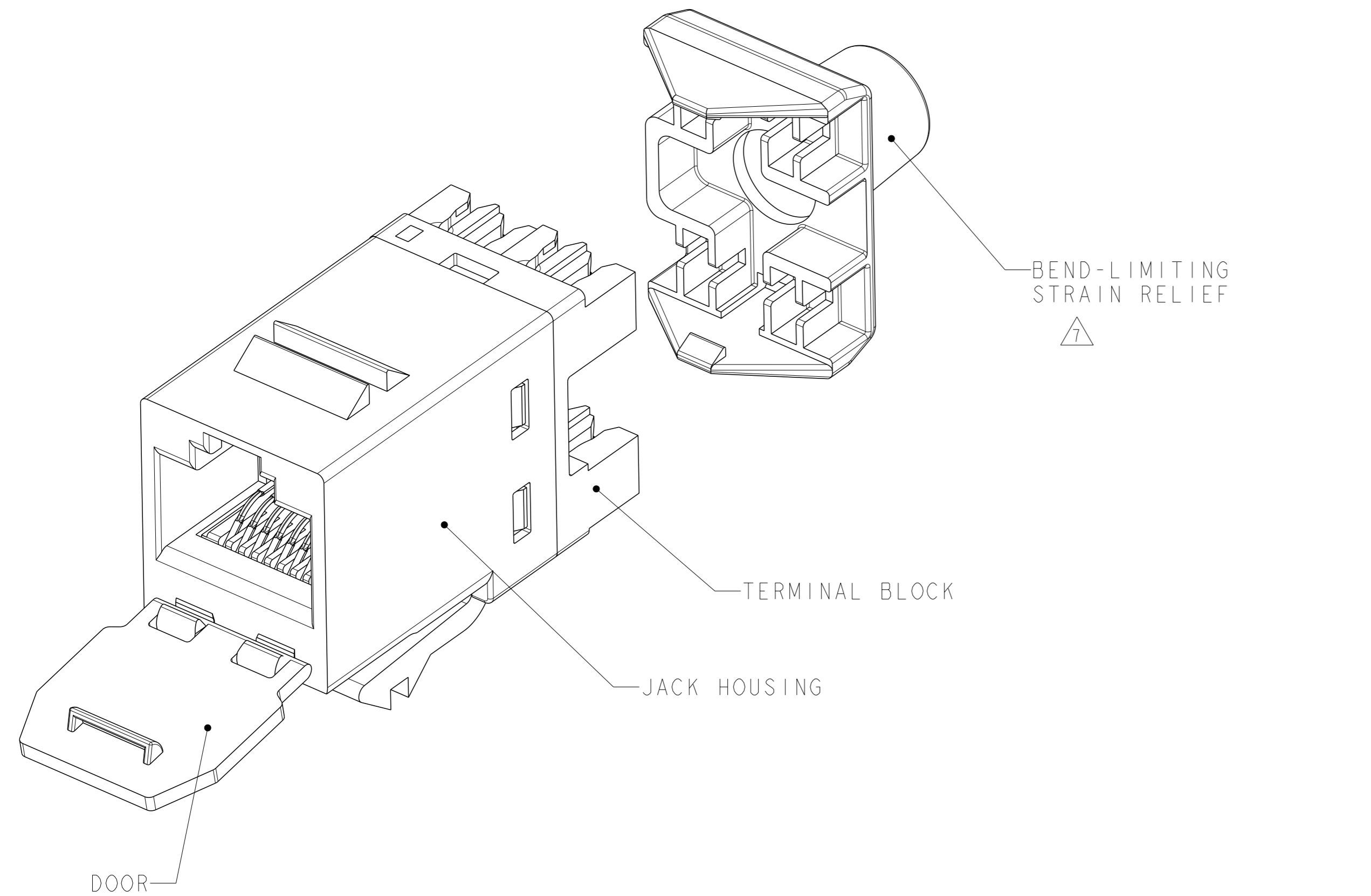
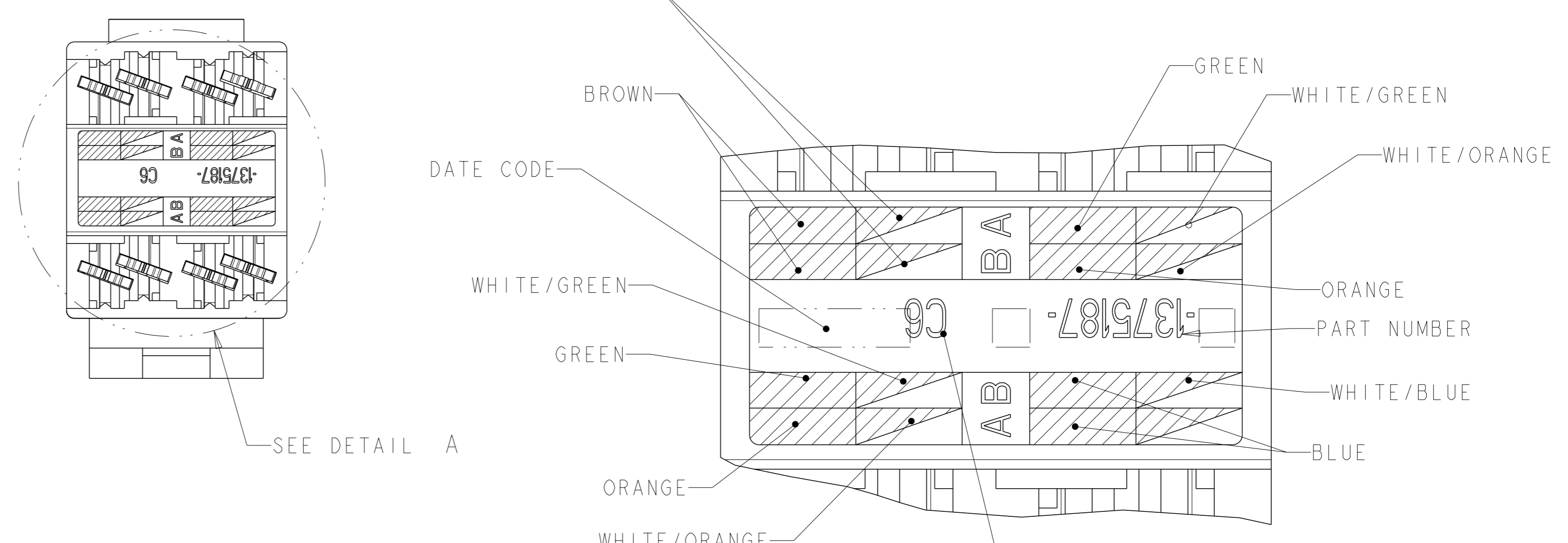
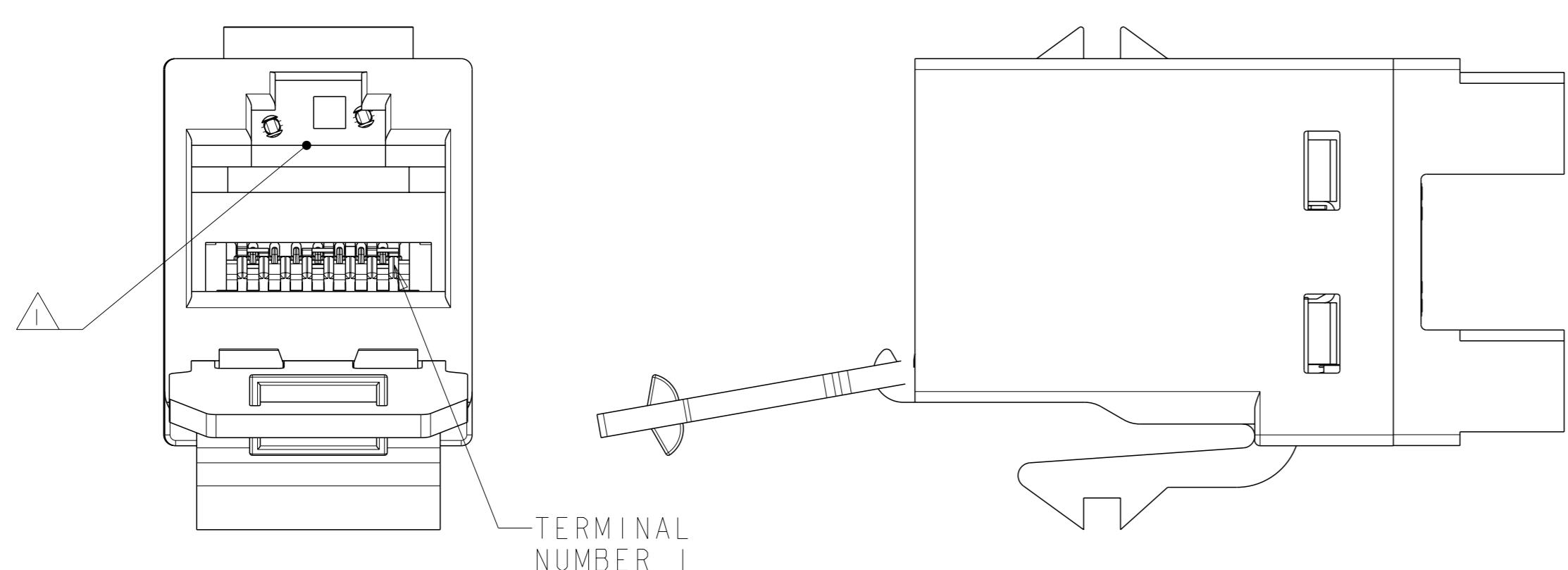


REVISIONS				
#	LY#	DESCRIPTION	DATE	OWN APVD
1	K1	REV: 40032530MCO	01AUG2016	GG SJ



- 1 MATERIAL: JACK HOUSING - POLYCARBONATE, 94V-0 RATED. 110 BLOCK, STRAIN RELIEF AND DOOR - POLYCARBONATE. ARRAY TRAY - PBT POLYESTER. JACK CONTACTS ARRAY - BERYLLIUM COPPER, PLATED WITH 1.27µm [.000050] MINIMUM THICK GOLD IN LOCALIZED AREA AND 3.81µm [.000150] MINIMUM THICK MATTE TIN IN BOARD INTERFACE AREA OVER 1.27µm [.000050] MINIMUM THICK NICKEL UNDERPLATE. IDC TERMINALS - PHOSPHOROUS BRONZE, PLATED WITH 3.81µm [.00015] MINIMUM THICK MATTE TIN OVER 1.27µm [.00005] MINIMUM THICK NICKEL UNDERPLATE.
- 2. SL 110 JACK WILL TERMINATE 22-24 AWG SOLID AND 24-26 AWG STRANDED CONDUCTORS, 1.27[.050] MAXIMUM INSULATION DIAMETER. JACK WILL ACCEPT CONDUCTORS UP TO 1.45 [.057] BUT REQUIRE THE USE OF A STRAIN RELIEF.
- 3 CAVITY CONFORMS TO FCC RULES AND REGULATIONS) PART 68 SUBPART F REQUIREMENTS.
- 4. MOUNTING PANEL THICKNESS 1.47 - 1.60 [.058 - .063].
- 5 THESE TWO SUGGESTED CUTOUT OPENINGS ARE USED IN TANDEM WITH DUAL FRONT AND BACK CUTOUTS.
- 6 ONE MODULAR JACK ASSEMBLY PER POLYBAG.
- 7 USE OF STRAIN RELIEF IS OPTIONAL.
- 8 REFER TO 408-8858 FOR TERMINATION INSTRUCTIONS USING SL SERIES TOOL TERMINATION. REFER TO 408-8417 FOR TERMINATION INSTRUCTIONS USING 110 PUNCH DOWN TOOL.

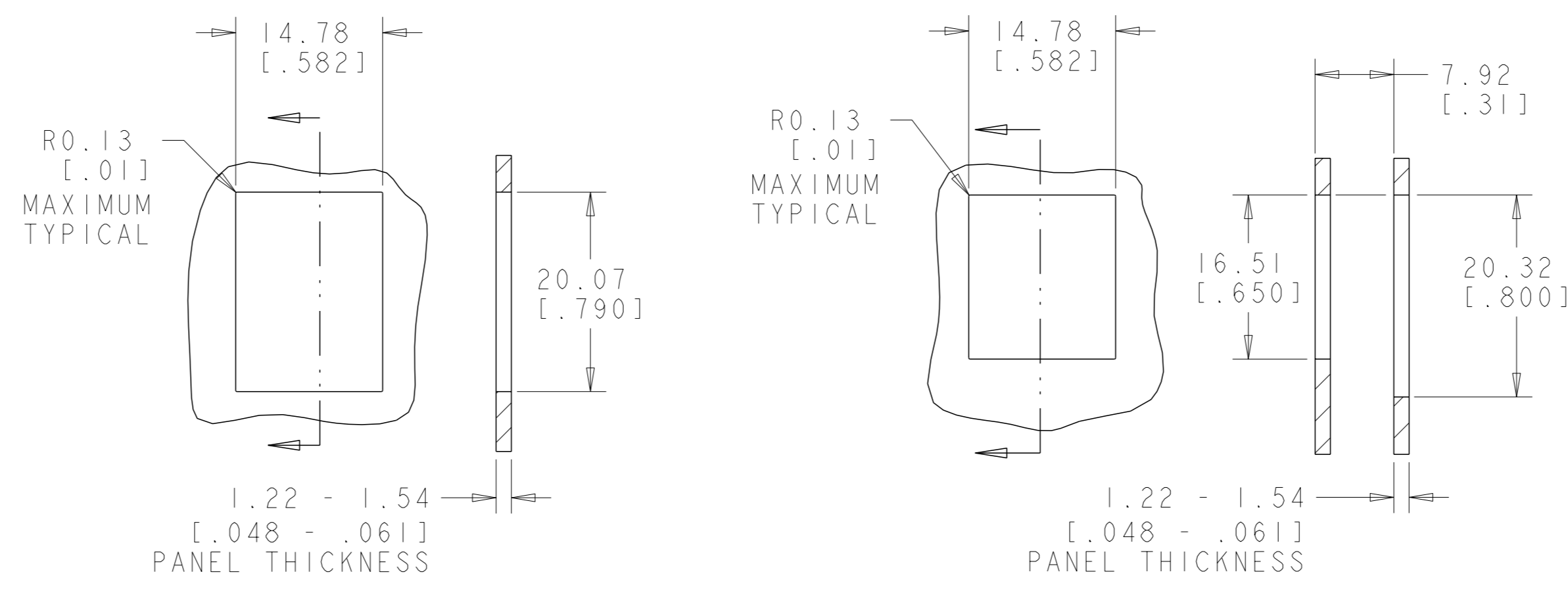


COLOR CODE	IDC TERMINAL	MODULAR JACK	
WHITE/BLUE			5
BLUE			4
WHITE/ORANGE			3
ORANGE			6
WHITE/GREEN			1
GREEN			2
WHITE/BROWN			7
BROWN			8

ELECTRICAL SCHEMATIC T568A

COLOR CODE	IDC TERMINAL	MODULAR JACK	
WHITE/BLUE			5
BLUE			4
WHITE/ORANGE			1
ORANGE			2
WHITE/GREEN			3
GREEN			6
WHITE/BROWN			7
BROWN			8

ELECTRICAL SCHEMATIC T568B



SINGLE PANEL CUTOUT SUGGESTED FLUSH MOUNT PANEL APPLICATION CUTOUT

DETAIL A SCALE 10:1 CATEGORY PERFORMANCE SYMBOL

PACKAGE	HOUSING COLOR	PART NUMBER
	ALPINE WHITE	1-1375187-3
	ELECTRIC IVORY	1-1375187-1
	VIOLET	1-1375187-0
	GREEN	1375187-9
	YELLOW	1375187-8
	RED	1375187-7
	BLUE	1375187-6
	ORANGE	1375187-5
	NEMA GRAY	1375187-4
	WHITE	1375187-3
	BLACK	1375187-2
	LIGHT ALMOND	1375187-1

THIS DRAWING IS A CONTROLLED DOCUMENT. OWN T. PITTS 05NOV01
 CHK L. SMITH 08NOV01
 APVD C. DOOLEY 08NOV01
 PRODUCT SPEC 108-1990
 APPLICATION SPEC 108-1990-3

MM[INCHES] DIMENSIONS: 0 PLC ±, 1 PLC ±, 2 PLC ±, 3 PLC ±, 4 PLC ±, ANGLES FINISH ±

TOLERANCES UNLESS OTHERWISE SPECIFIED: ±, ±, ±, ±, ±, ±

MATERIAL: - FINISH: - WEIGHT: -

CUSTOMER DRAWING

NAME: ASSEMBLY, SL 110 JACK, CAT 6 DUST COVER
 SIZE: A1
 CAGE CODE: 100779
 DRAWING NO: 1375187
 SCALE: 4:1 SHEET 1 OF 1 REV: K1

COMMSCOPE, INC.