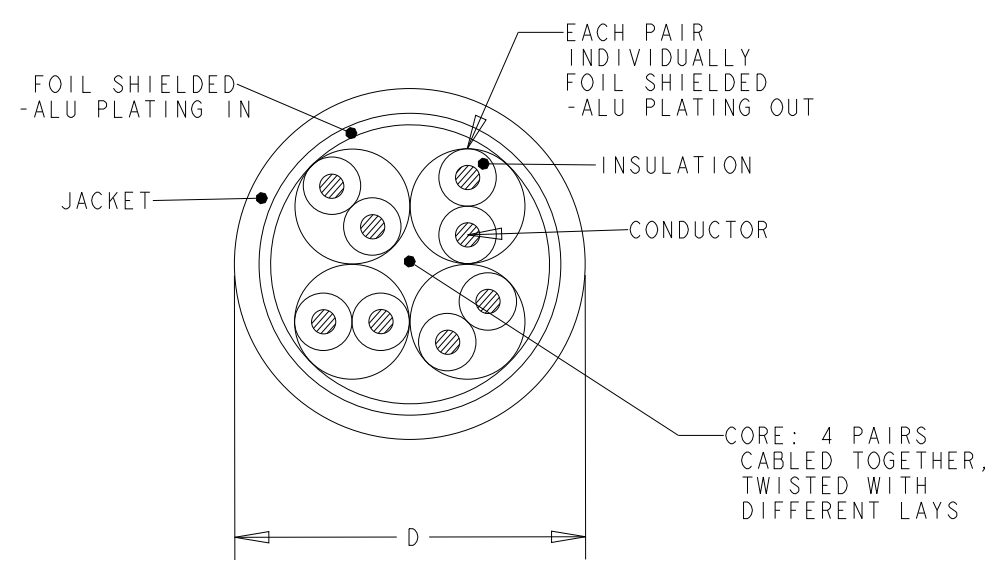


LOC	DIST	REVISIONS			
P	LTR	DESCRIPTION	DATE	DWN	APVD
	F	ECR-13-001941	13Feb13	LD	JS

FINISHED CABLE DATA		
CONDUCTORS	WIRE AWG	23 AWG Solid
	Ø RANGE in mm	0,546 <= Ø < 0,610
	MATERIAL	COPPER
	PLATING	BARE
ELONGATION	15% PER EN 50288-1	
INSULATION	MATERIAL	POLYETHYLENE
	OVERALL DIAMETER	1,35
DRAIN WIRE	Ø RANGE	0,4 - 0,55
	MATERIAL	COPPER
	PLATING	TINNED
	ELONGATION	15% PER EN 50288-1
BINDER	POLYESTER TAPE	OPTIONAL
INDIVIDUAL PAIR SCREEN	MATERIAL	PLASTIC LAMINATED ALUMINUM FOIL
OVERALL SHIELD	FOIL MATERIAL	PLASTIC LAMINATED ALUMINUM FOIL
OVERALL SHIELD	BRAID MATERIAL	-
	PLATING	-
	COVERAGE	-
	ELONGATION	-
JACKET	MATERIAL	LSZH
	OVERALL DIAMETER (D)	7,3
PULLING FORCE	MAX.	100 N

- REFER TO PRODUCT SPEC 108-93018 FOR ADDITIONAL REQUIREMENTS.
- BASENR SPECIFIC PRINT LEGEND INFO:  
CAT6 F/FTP SOLID PR04 AWG23 LSZH
- CABLE COLORED TYPES UPON REQUEST.



GREEN	1000	REEL	1711007-3
WHITE	1000	REEL	1711007-2
WHITE	500	REEL	1711007-1
COLOUR	LENGTH (METRES)	PACKAGE	PART NUMBER

THIS DRAWING IS A CONTROLLED DOCUMENT.		DWN	L. de Dios	13Feb13
DIMENSIONS: mm		CHK	M. Maqueda	13Feb13
TOLERANCES UNLESS OTHERWISE SPECIFIED:		APVD	J. Sanabra	13Feb13
0 PLC	±-	PRODUCT SPEC		
1 PLC	±-	APPLICATION SPEC		
2 PLC	±-	WEIGHT		
3 PLC	±-	CUSTOMER DRAWING		
4 PLC	±-	SCALE NTS		
ANGLES	±-	SHEET 1 OF 1		
FINISH	-	REV F		

<b>TE</b> TE Connectivity			
NAME CABLE, CAT6, F/FTP, PIMF250 COMPACT, SOLID, PR04, AWG23, LSZH			
SIZE	CAGE CODE	DRAWING NO	RESTRICTED TO
A3	-	©-1711007	-